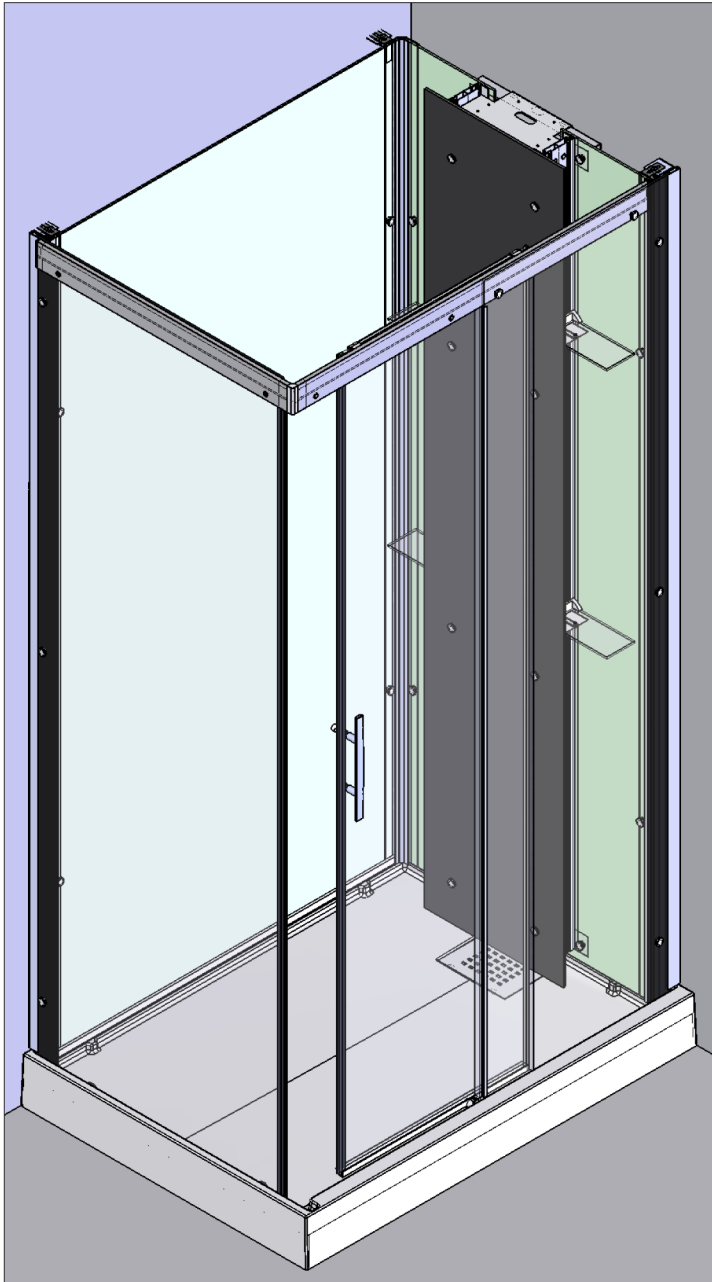
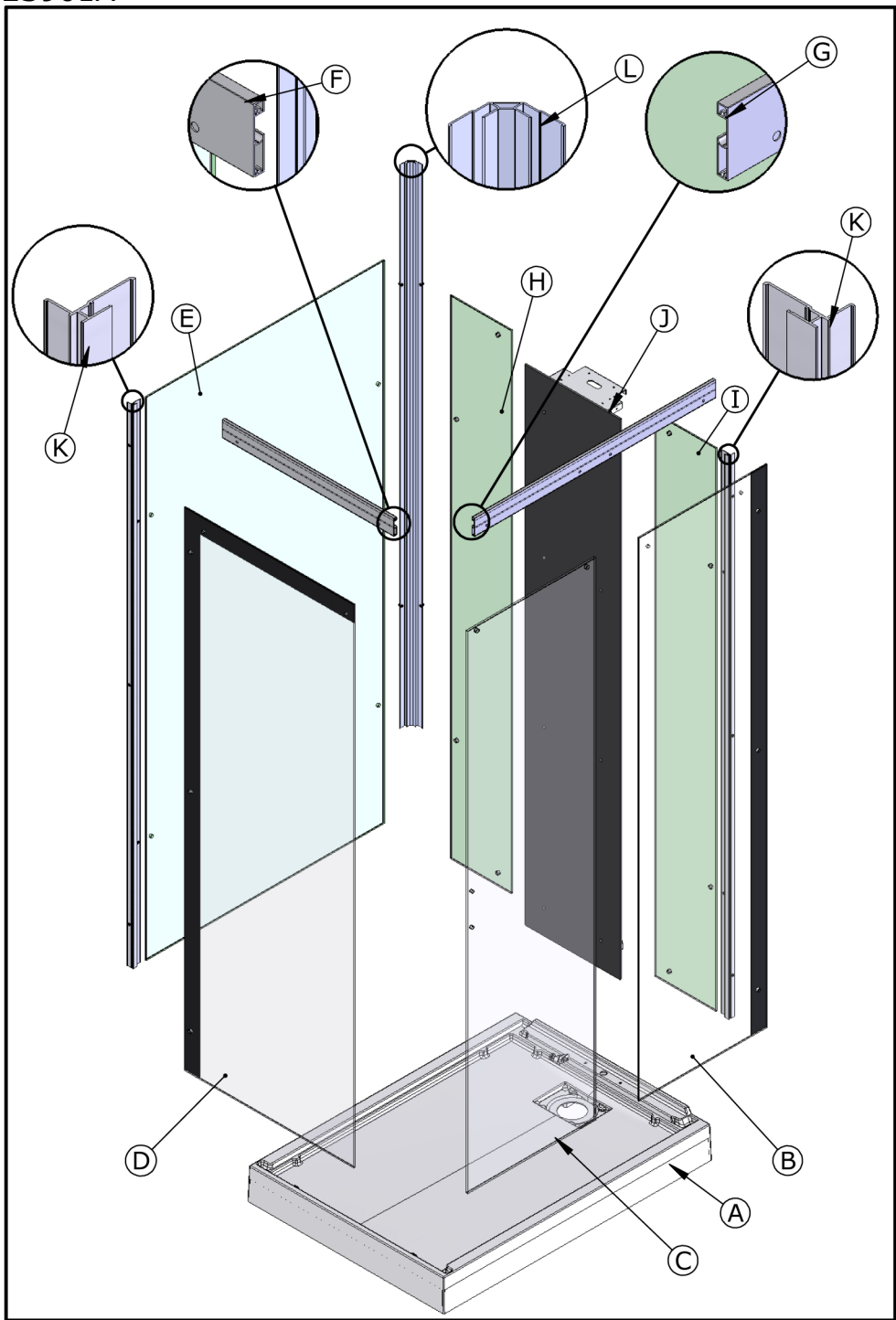


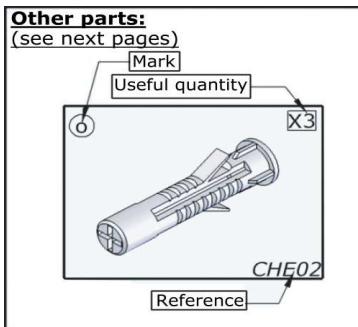
# INSTALLATION INSTRUCTIONS



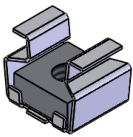
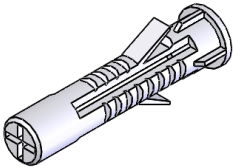
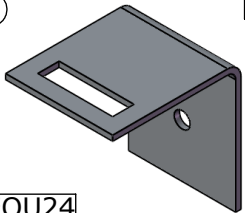
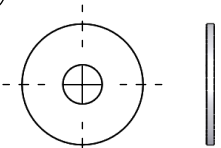
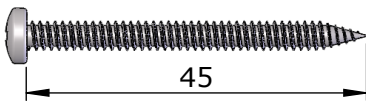
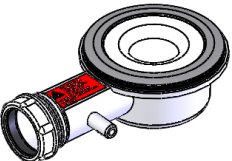
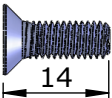
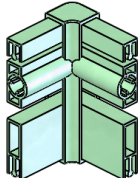
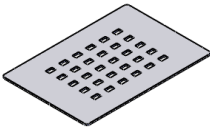
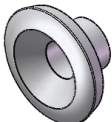
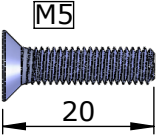
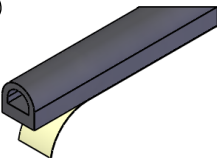
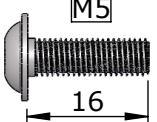
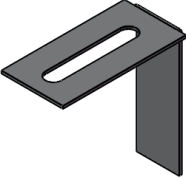
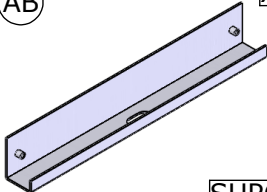
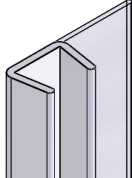


**PACKAGE CODES (see marks on page 2)**

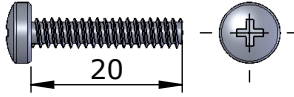
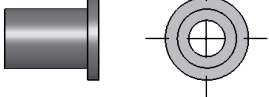
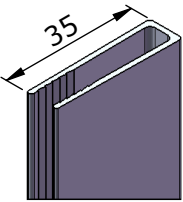
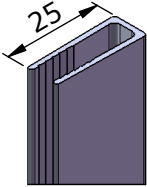
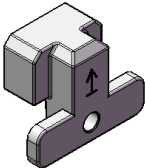
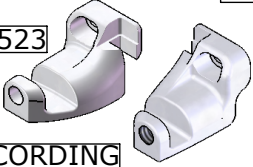
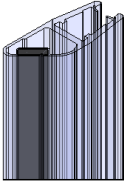
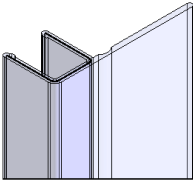

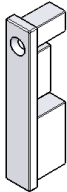
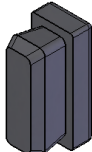

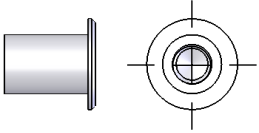
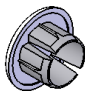

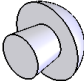
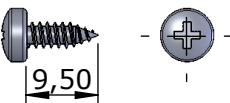
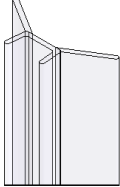
REP	110x80
A	REC206
B+C	C5080E
D	C6438E
E	C5081E
F+G	5902
H+I	C7202E
J	CP850
K	5934
L	5933



## DES901A


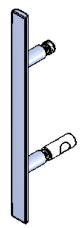
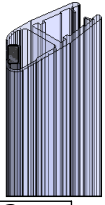
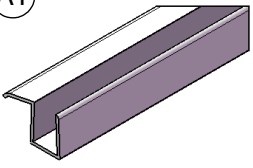
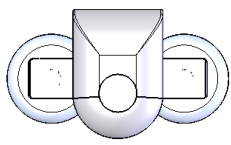
<p>(M) X3</p>  <p>ECR46</p>	<p>(N) X3</p>  <p>CHE02</p>	<p>(O) X3</p>  <p>EQU24</p>
<p>(P) X6</p>  <p>1=1</p> <p>RON51</p>	<p>(Q) X3</p>  <p>Ø3.9</p> <p>45</p> <p>1=1</p> <p>VIS17</p>	
<p>(R) X1</p>  <p>BOND16</p>	<p>(S) X4</p>  <p>M5</p> <p>14</p> <p>1=1</p> <p>VIS159</p>	<p>(T) X1</p>  <p>PPL353</p>
	<p>(V) X1</p>  <p>TOL11</p>	<p>(W) X22</p>  <p>ENT19</p>
<p>(X) X18</p>  <p>M5</p> <p>20</p> <p>1=1</p> <p>VIS10</p>	<p>(Y) X2</p>  <p>LG=2000mm</p> <p>J446</p>	<p>(Z) X3</p>  <p>M5</p> <p>16</p> <p>1=1</p> <p>VIS195</p>
<p>(AA) X3</p>  <p>EQU50</p>	<p>(AB) X2</p>  <p>SUP63</p>	<p>(AC) X1</p>  <p>LG=1997mm</p> <p>J443</p>

The quantities given are what are required for the installation. There may be some surplus parts in the package provided.

<p>(AD) M4 X3</p>  <p>20</p> <p>1=1 VIS09</p>	<p>(AE) X3</p>  <p>1=1 ECR14</p>	<p>(AF) X1</p>  <p>35</p> <p>PFL42</p>
<p>(AG) X1</p>  <p>25</p> <p>PFL43</p>	<p>(AH) X1</p>  <p>PPL550</p>	<p>(AI) X1</p>  <p>PPL523</p> <p>ACCORDING MOUNTING</p> <p>PPL522</p>
<p>(AJ) X1</p>  <p>LG=1925mm</p> <p>AI051</p>	<p>(AK) X1</p>  <p>LG=1925mm</p> <p>J418</p>	<p>(AL) X2</p>  <p>Ø3.5</p> <p>9,50</p> <p>1=1 VIS22</p>
<p>(AM) X2</p>  <p>PPL520</p>	<p>(AN) X1</p>  <p>BUT22</p>	<p>(AO) X22</p>  <p>CAP07</p>
<p>(AP) X4</p>  <p>1=1 ECR31</p>	<p>(AQ) X4</p>  <p>CAP15</p>	<p>(AR) M10 X1</p>  <p>8</p> <p>1=1 VIS07</p>
<p>(AS) X1</p>  <p>BUT20</p>	<p>(AT) X4</p>  <p>Ø3.5</p> <p>9,50</p> <p>1=1 VIS01</p>	<p>(AU) X2</p>  <p>LG=1970mm</p> <p>J540</p>

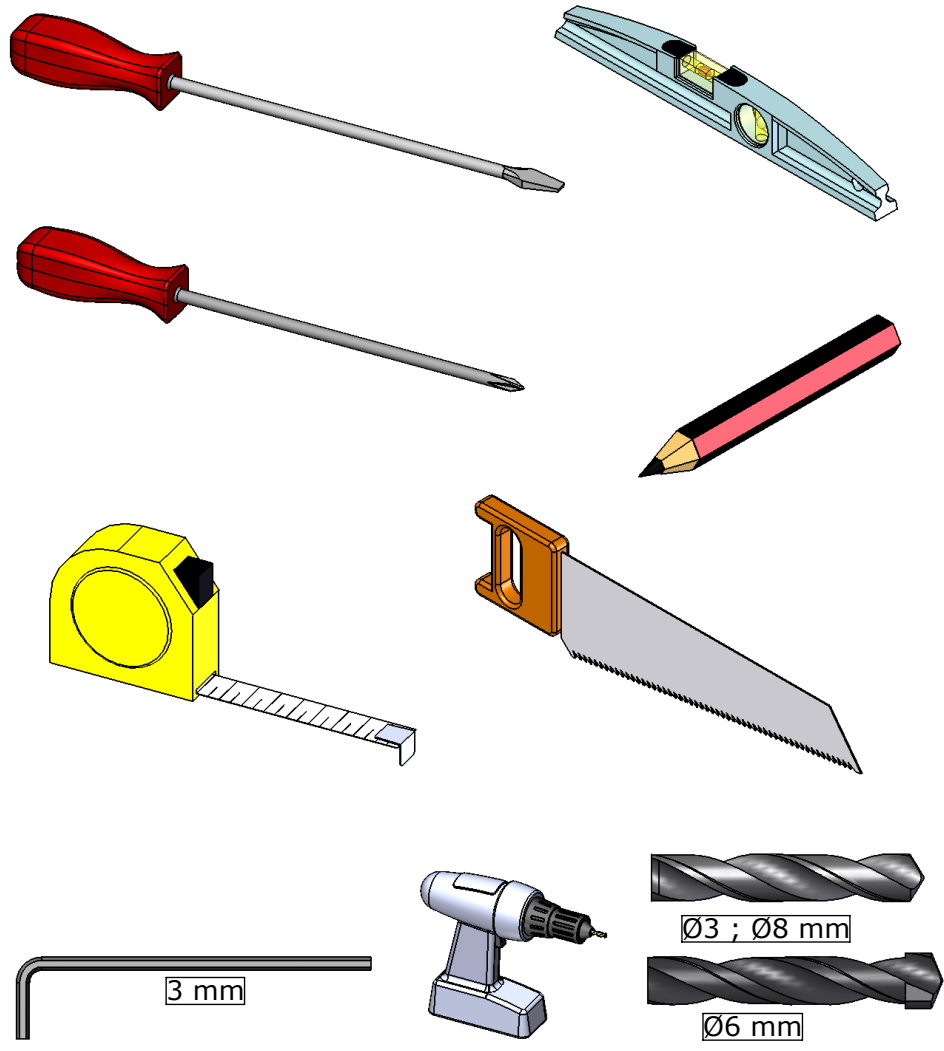
The quantities given are what are required for the installation. There may be some surplus parts in the package provided.

# DES901A

<p>(AV) X4</p>  <p>VER2161</p>	<p>(AW) X1</p>  <p>S0948</p>	<p>(AX) X1</p>  <p>LG=1982mm AI053</p>
<p>(AY) X1</p>  <p>LG=523mm J459</p>	<p>(AZ) X2</p>  <p>ROU21</p>	

The quantities given are what are required for the installation. There may be some surplus parts in the package provided.

# REQUIRED TOOLS

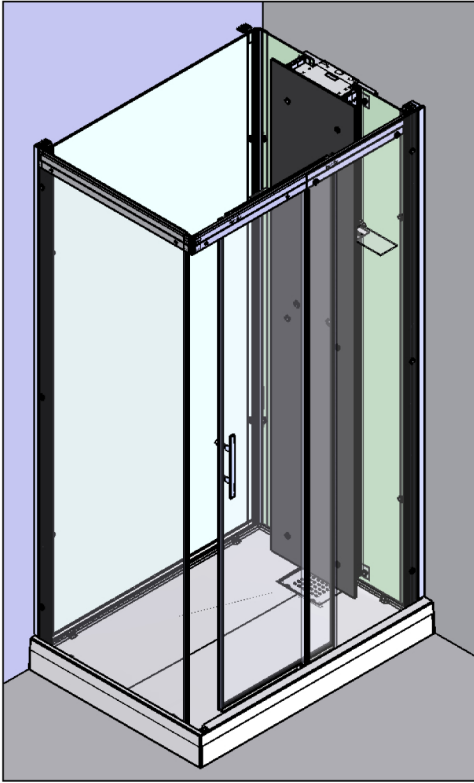


X2

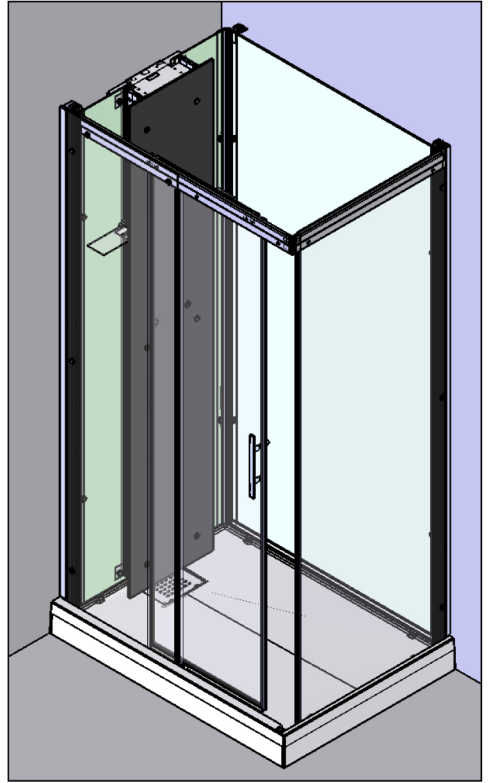


## REVERSIBILITY

LEFT HAND



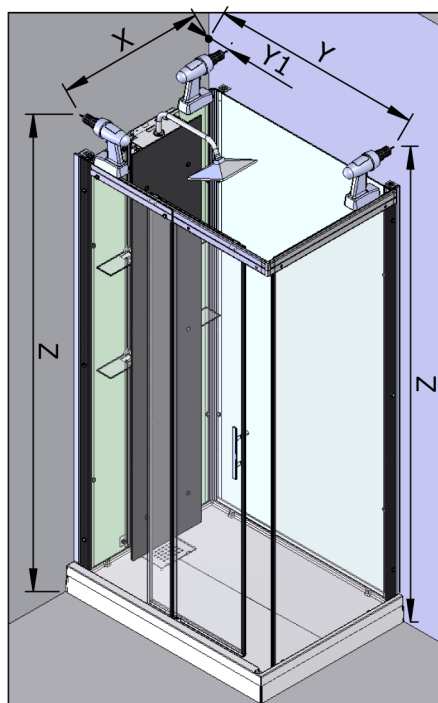
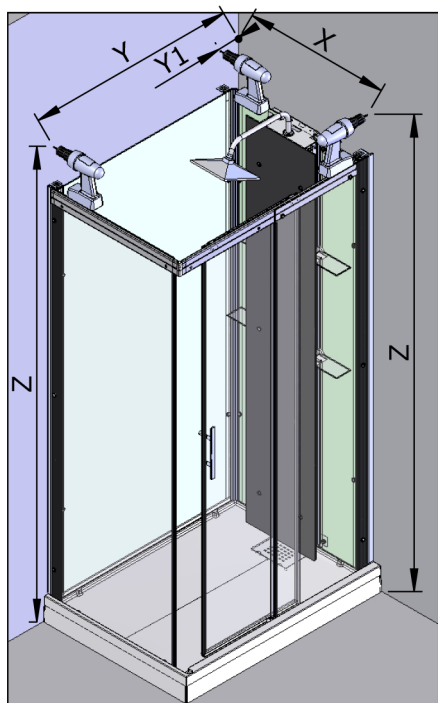
RIGHT HAND



This cubicle can be installed either left or right hand. These installation instructions show a right hand installation.

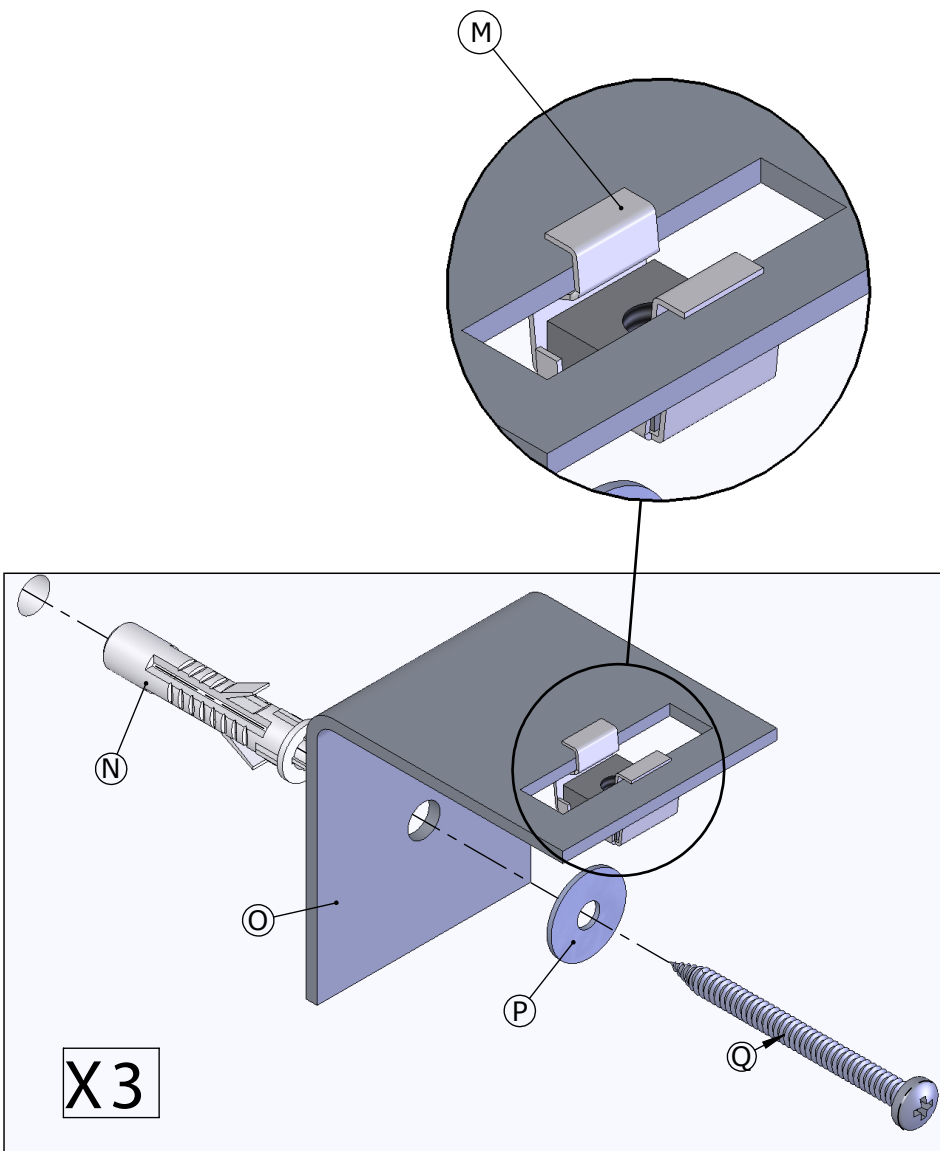
01

Ø6 mm

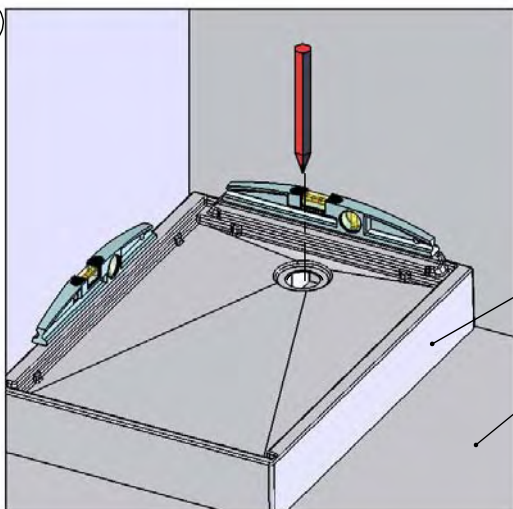


X	74cm
Y	103cm
Y1	10cm
Z	207,5cm

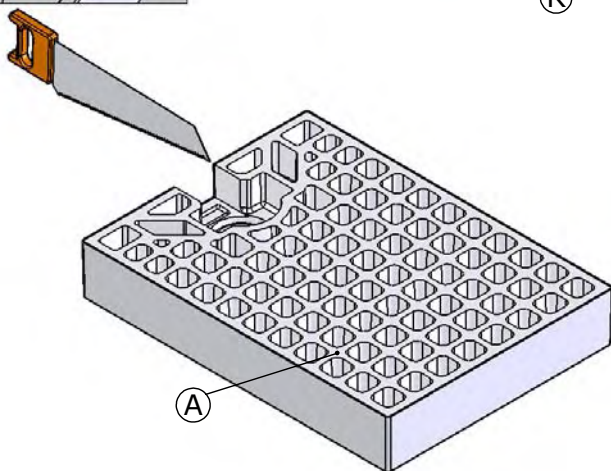
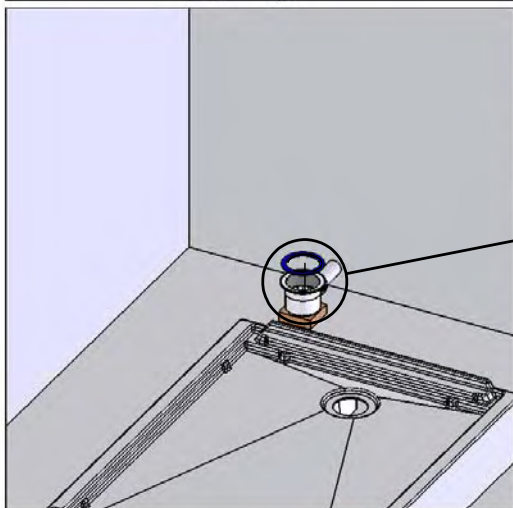
02



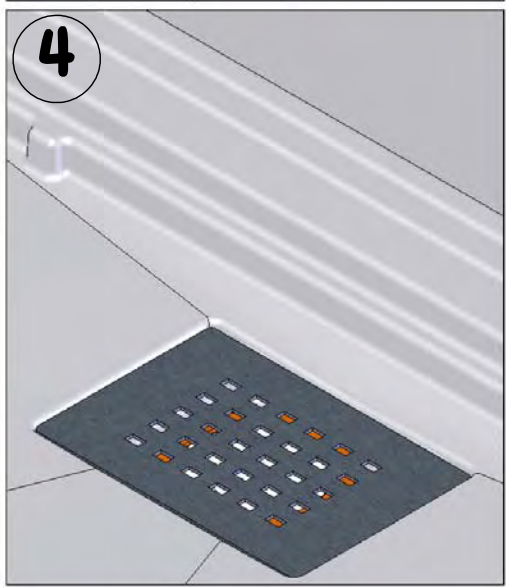
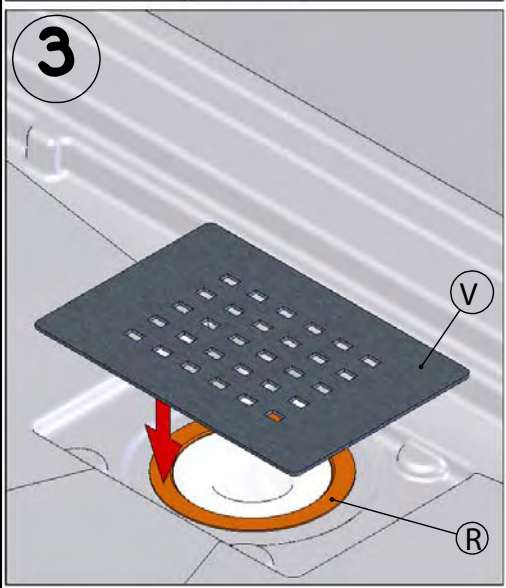
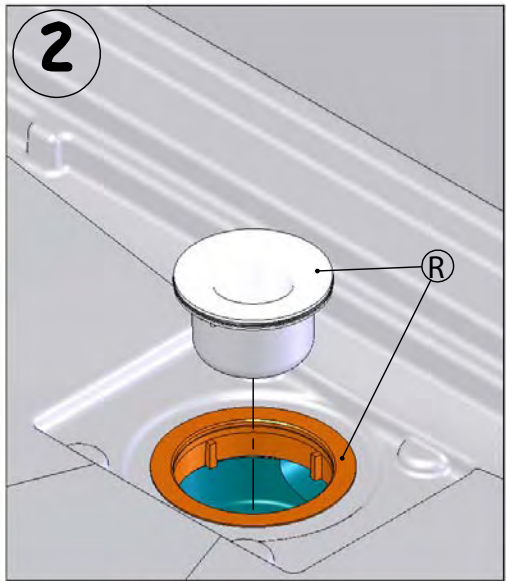
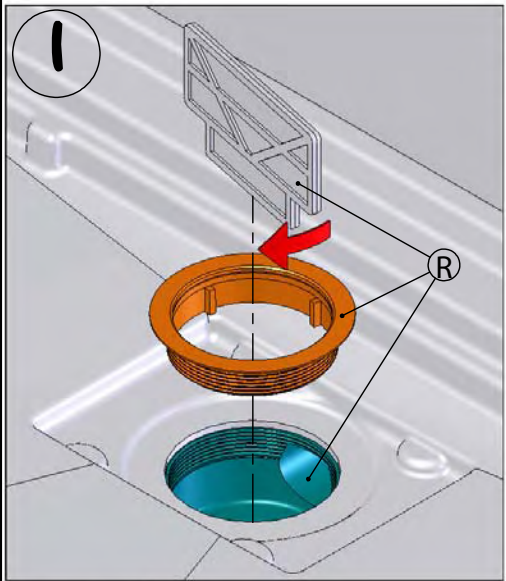
03



The underlying surface must be perfectly rigid

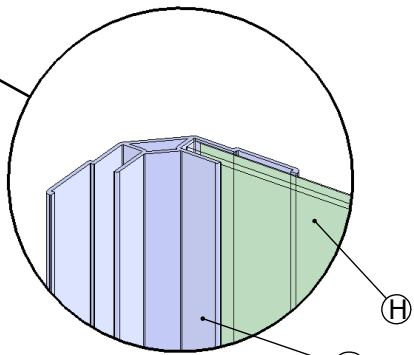
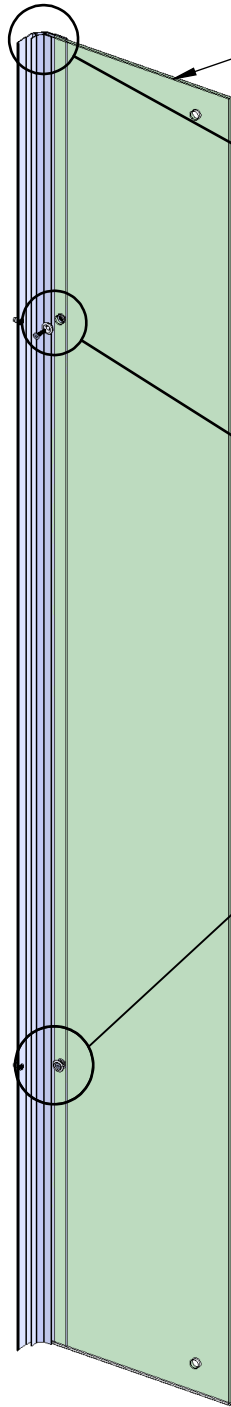


04



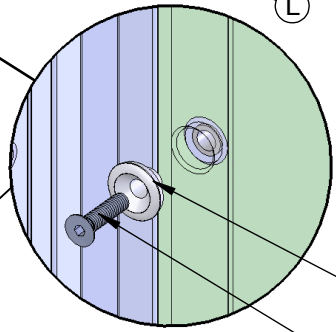
05

Screen printing on the outside



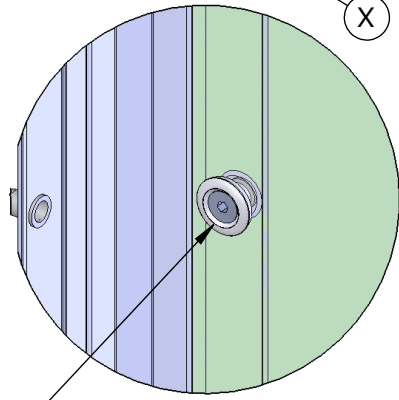
H

L



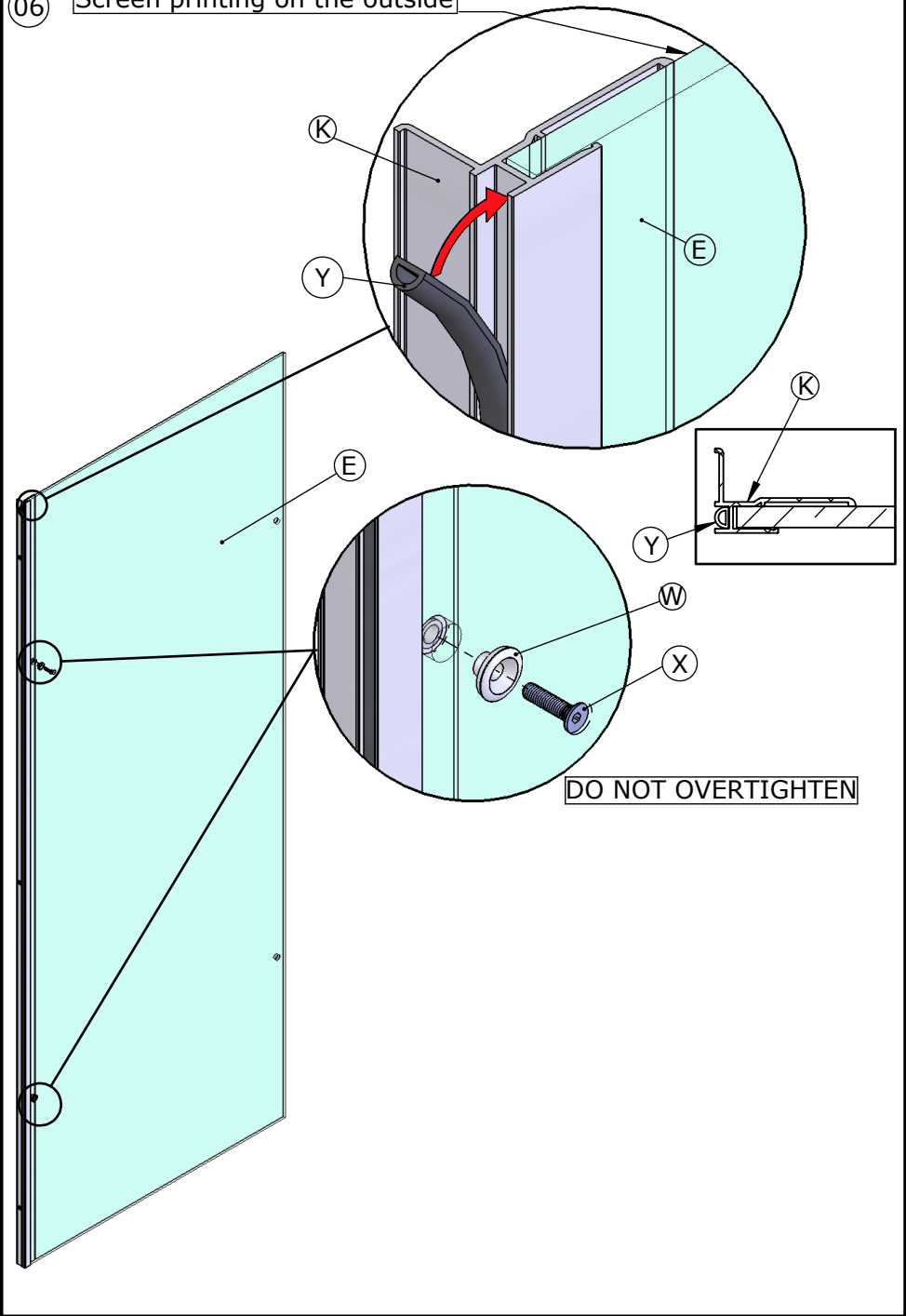
W

X



DO NOT OVERTIGHTEN

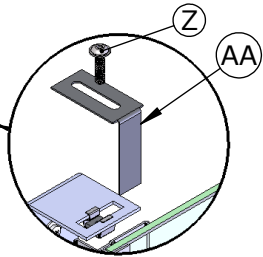
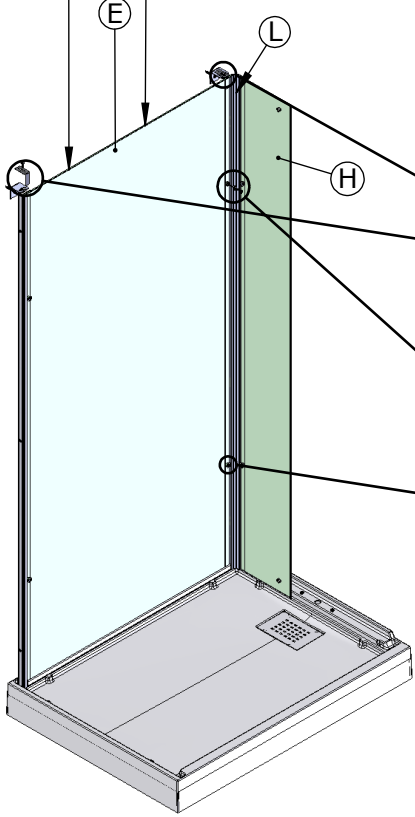
06 Screen printing on the outside



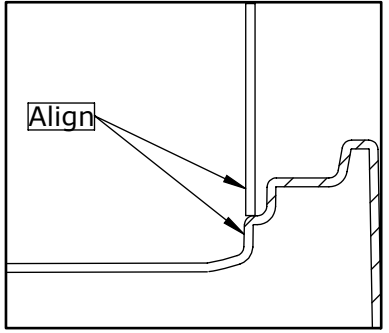
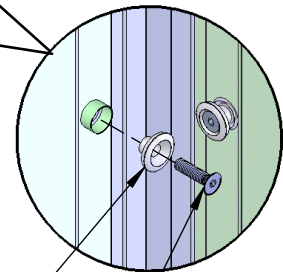
07

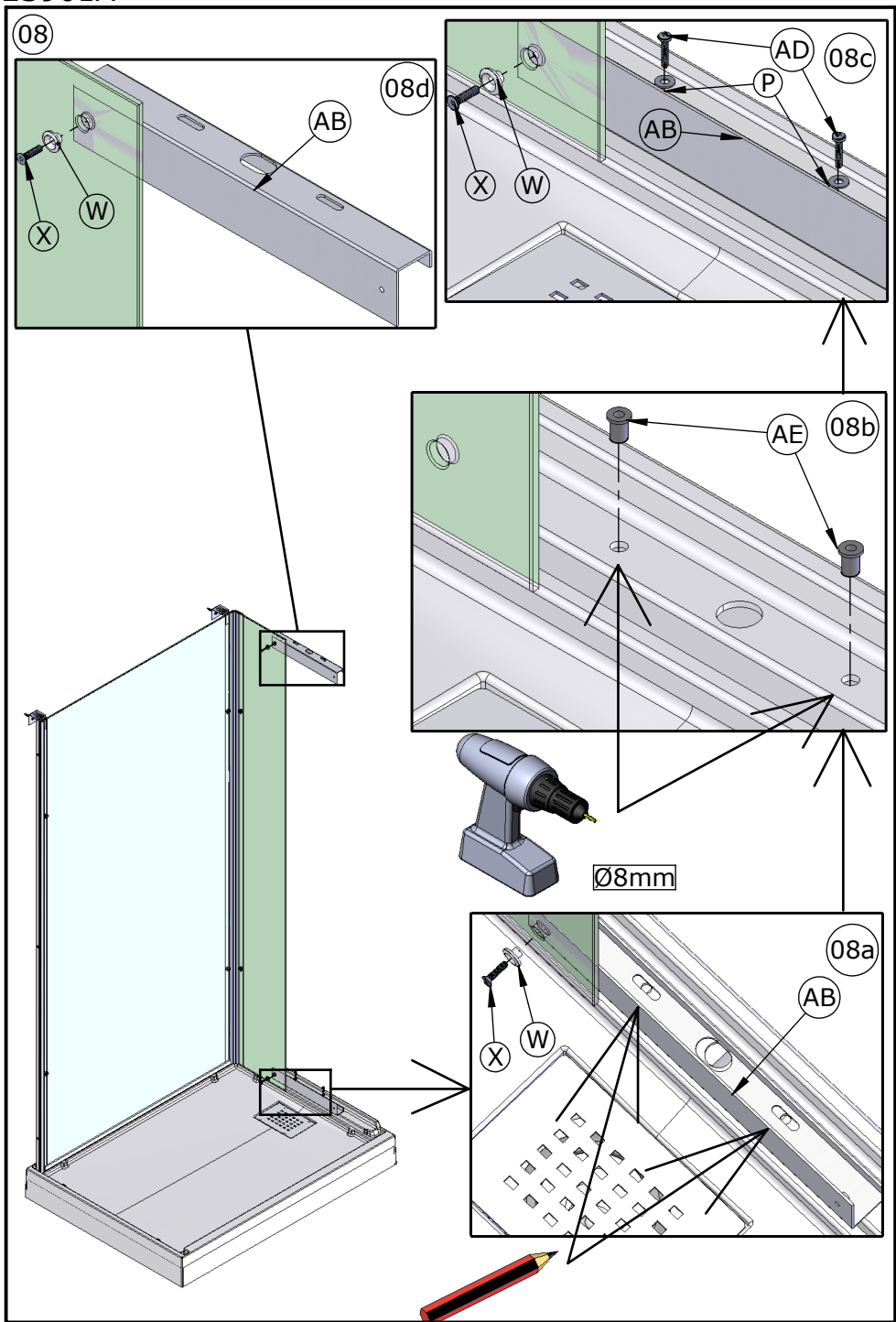
Screen printing on the outside

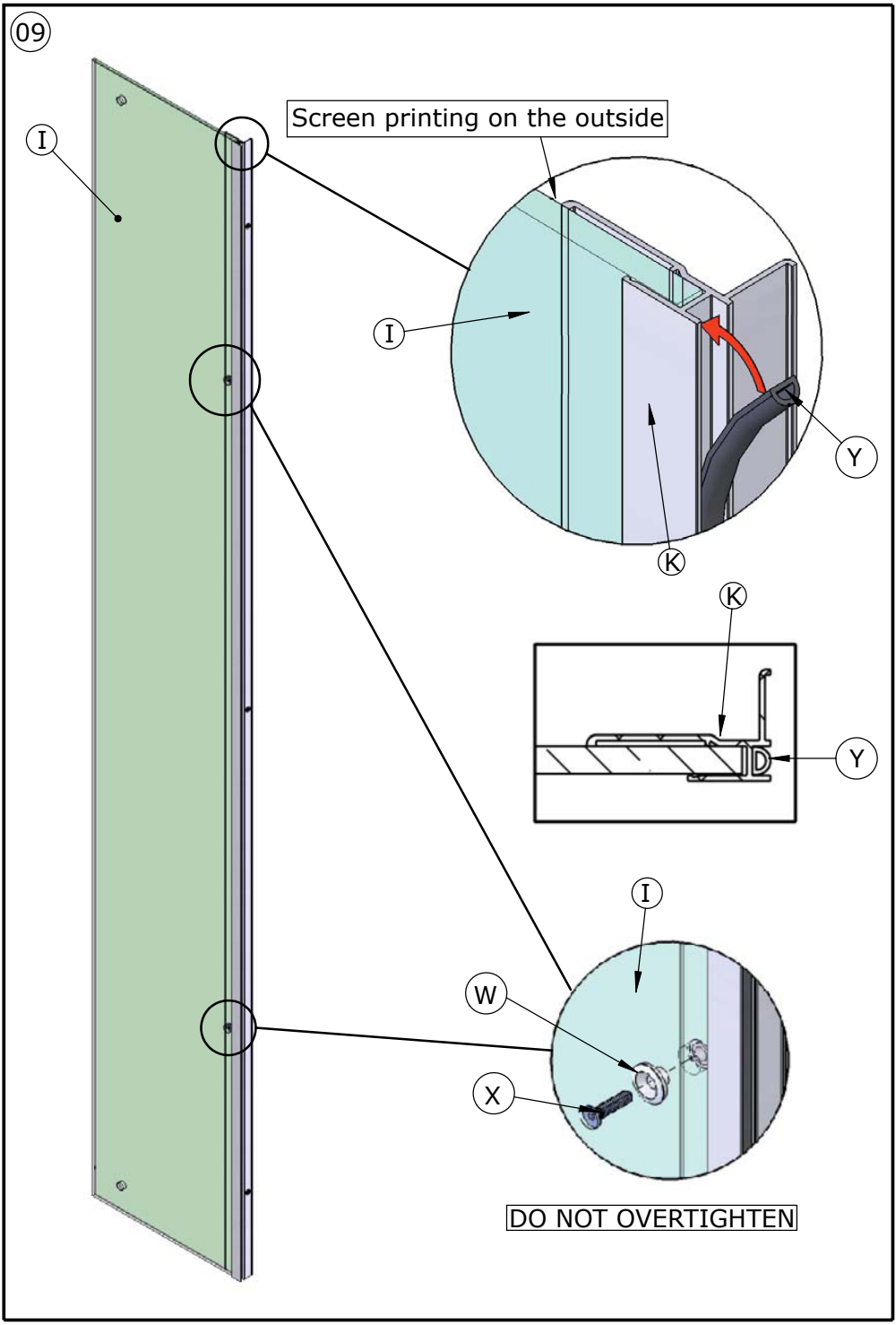
Fix the big panel in first

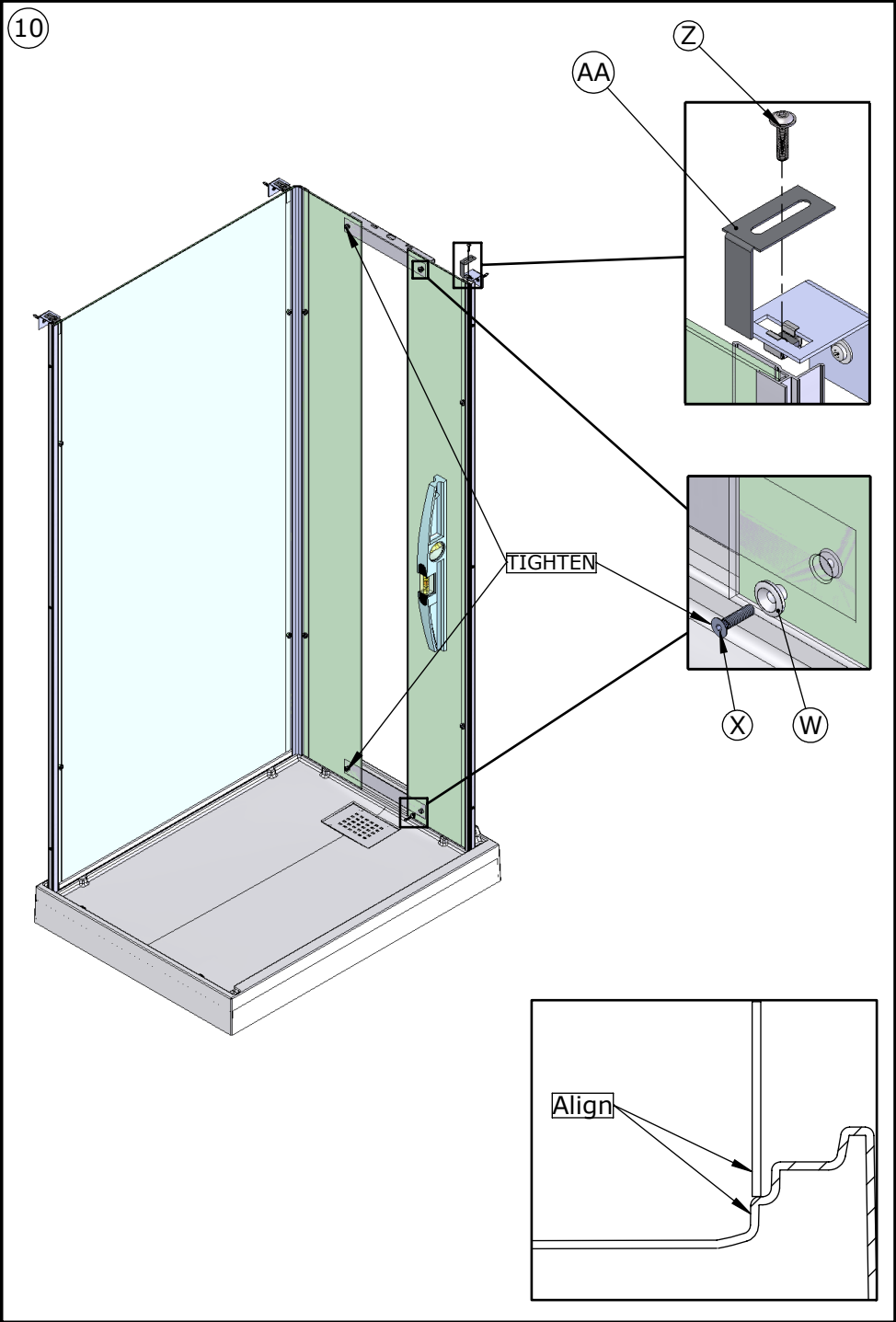


DO NOT OVERTIGHTEN



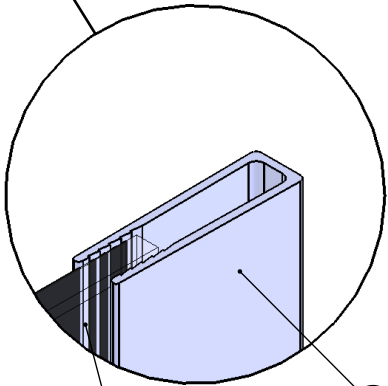
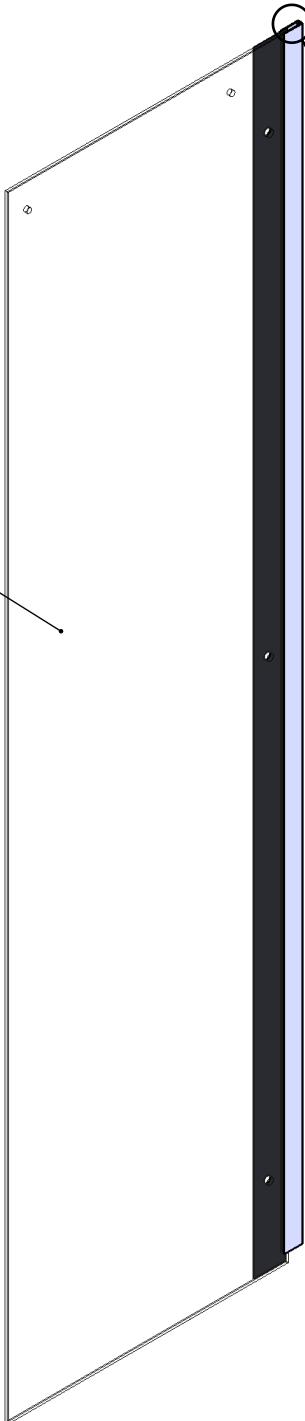






11

B

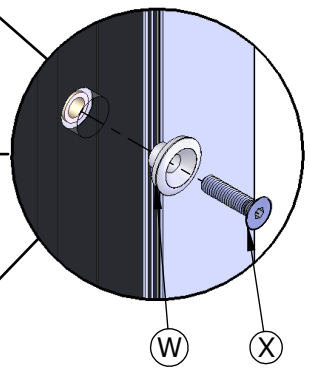
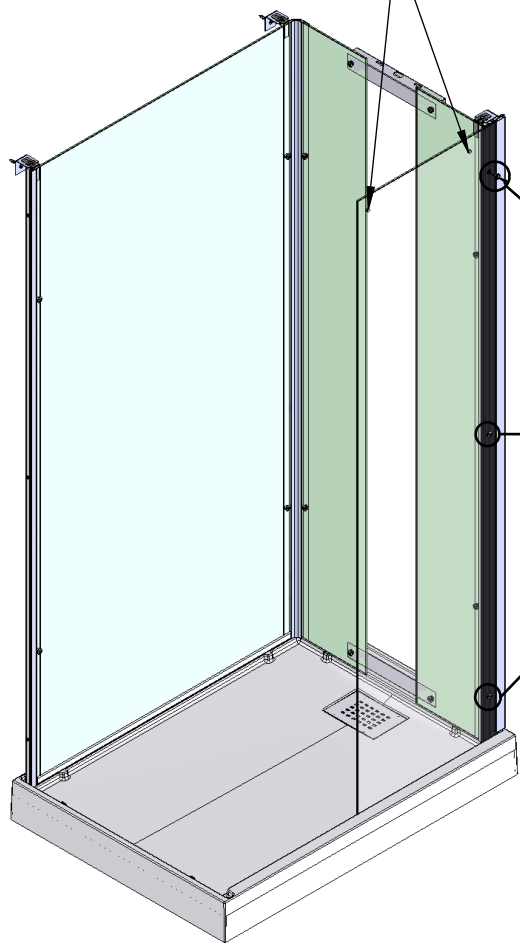


B

AF

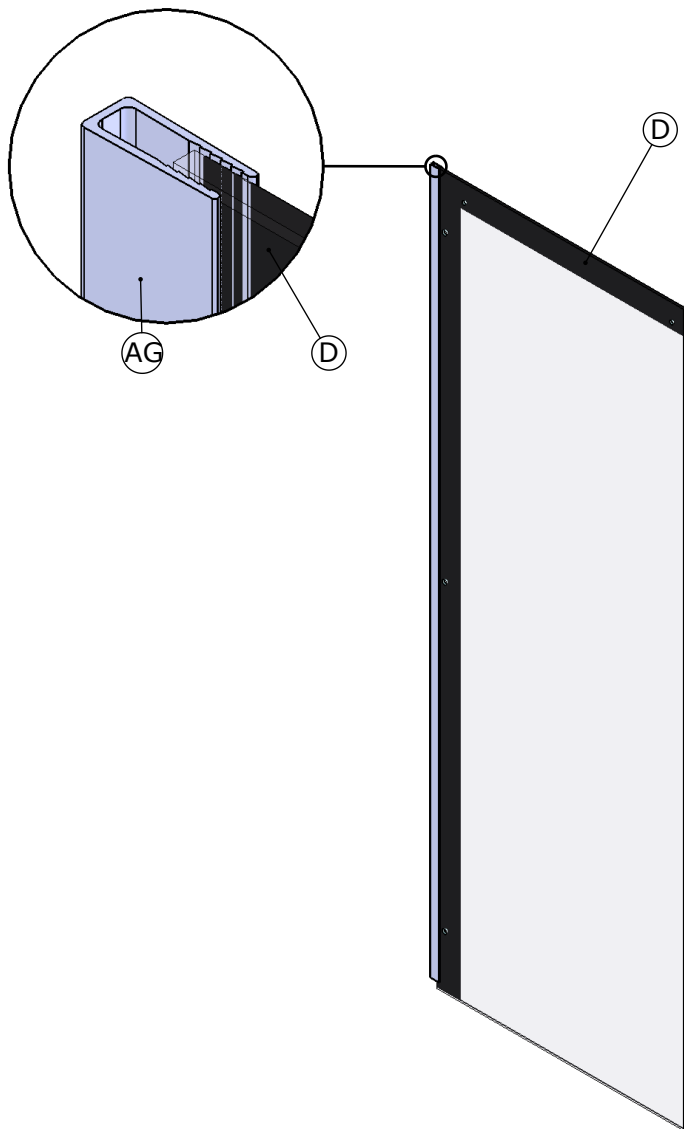
12

Drill holes on the top



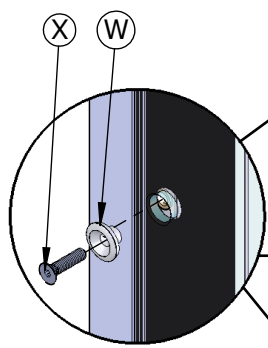
DO NOT OVERTIGHTEN

13

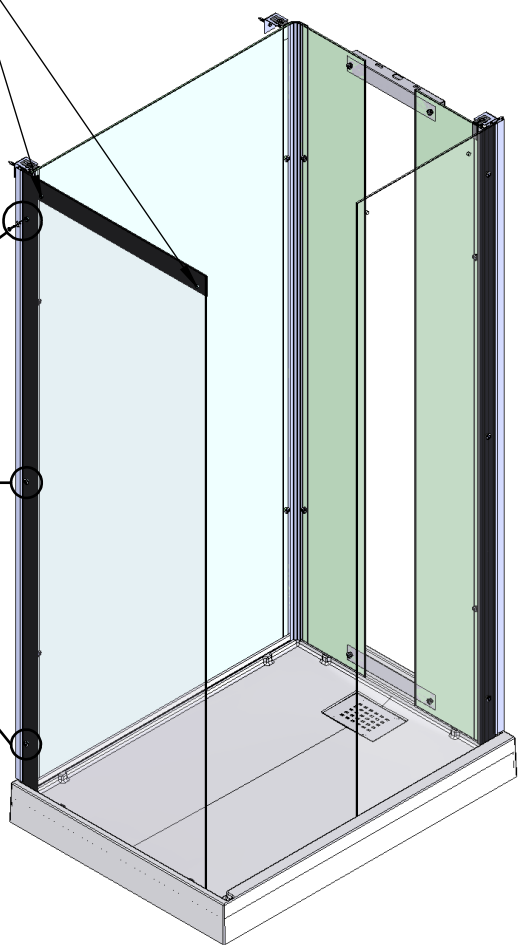


14

Drill holes on the top

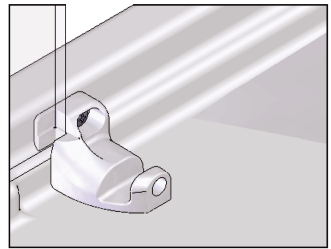
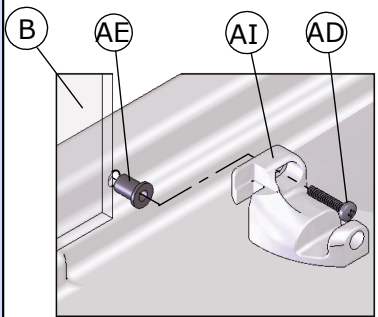
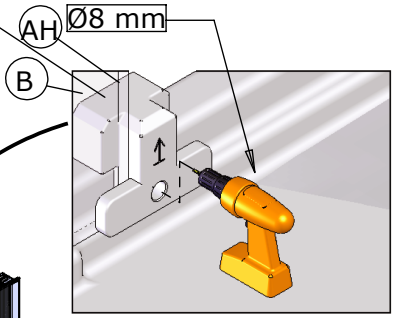
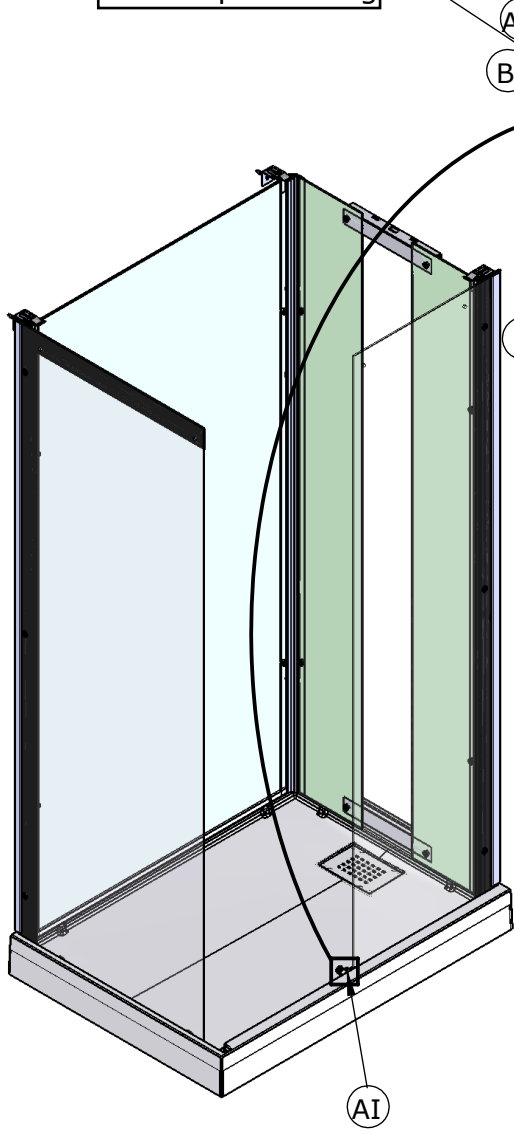


DO NOT OVERTIGHTEN



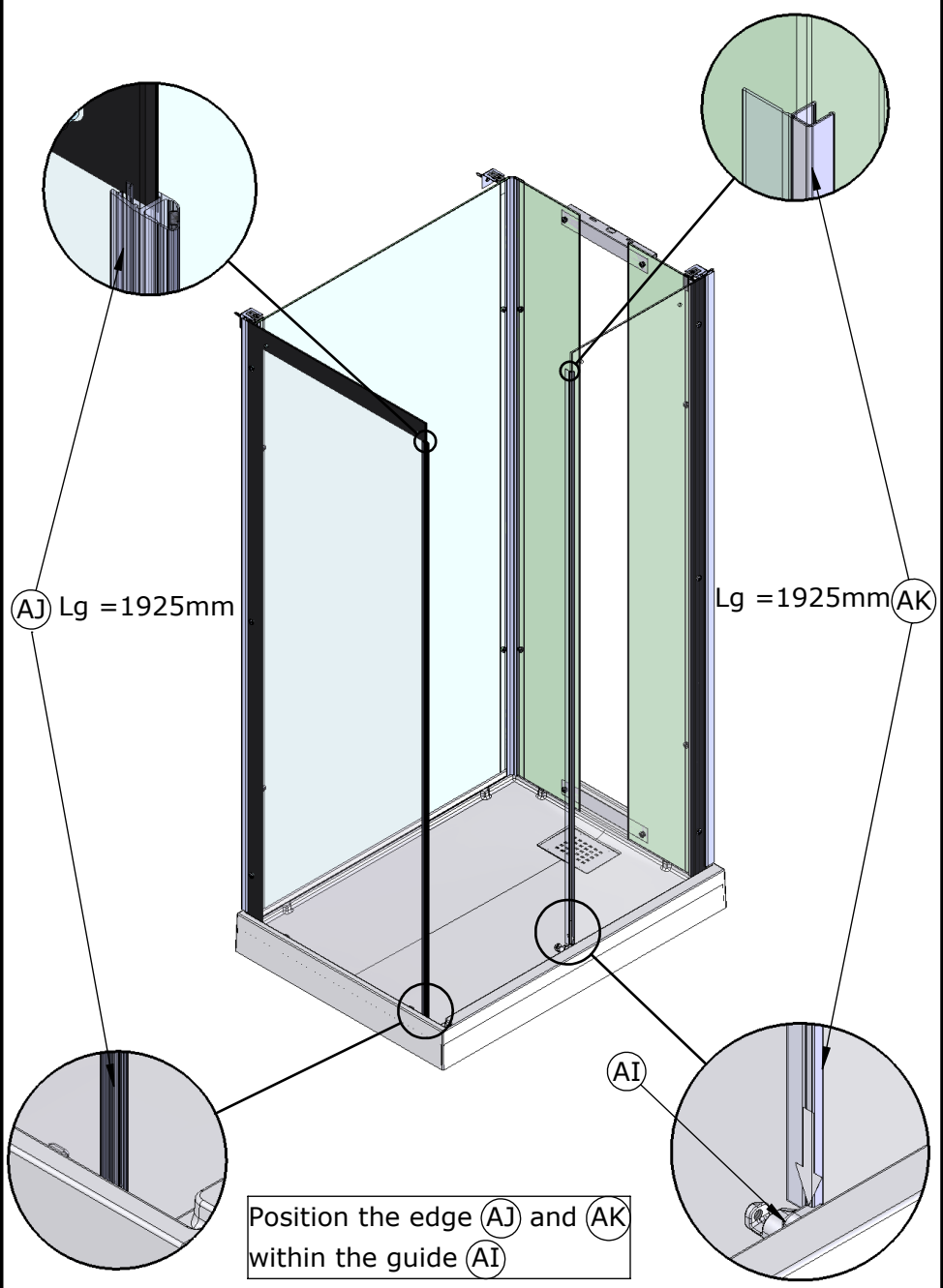
15

Template for the correct positioning

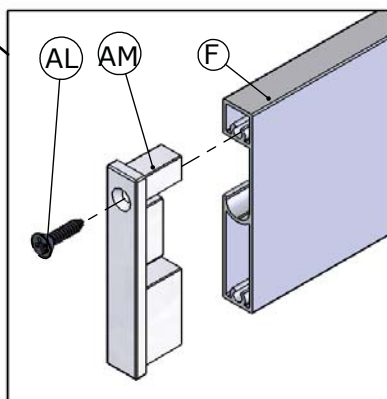
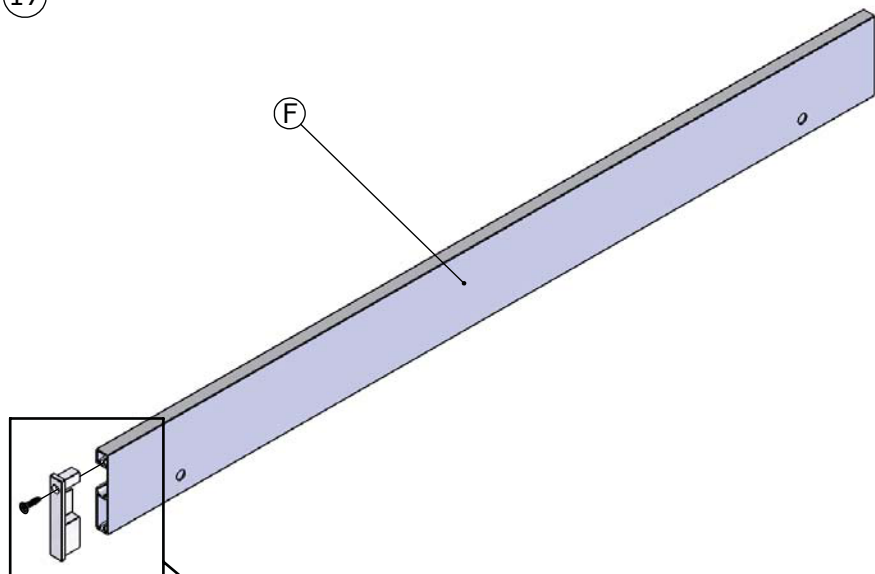


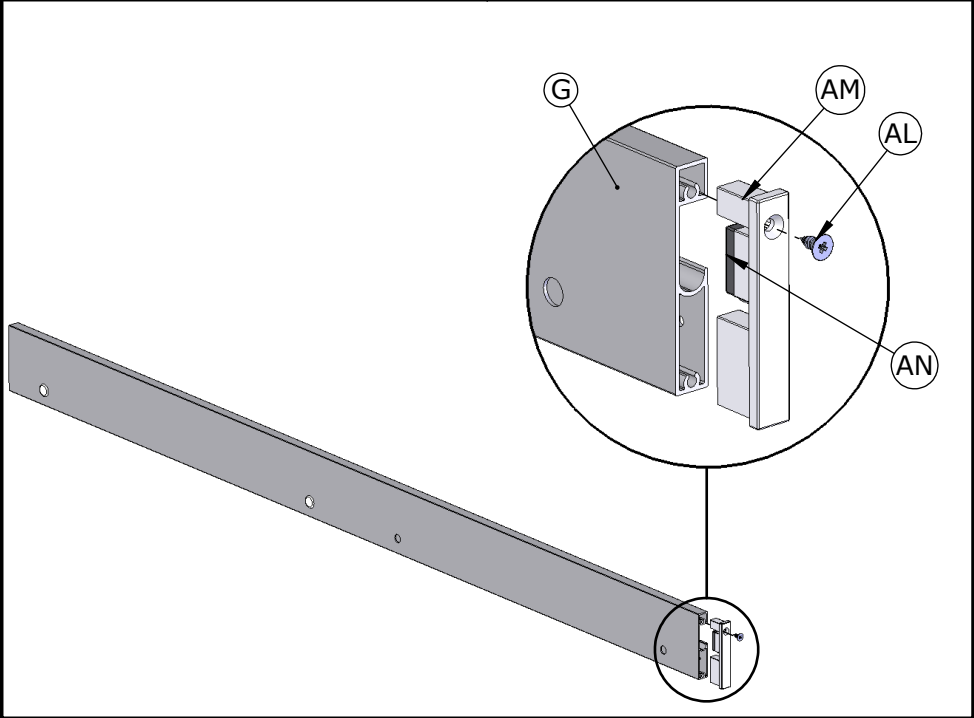
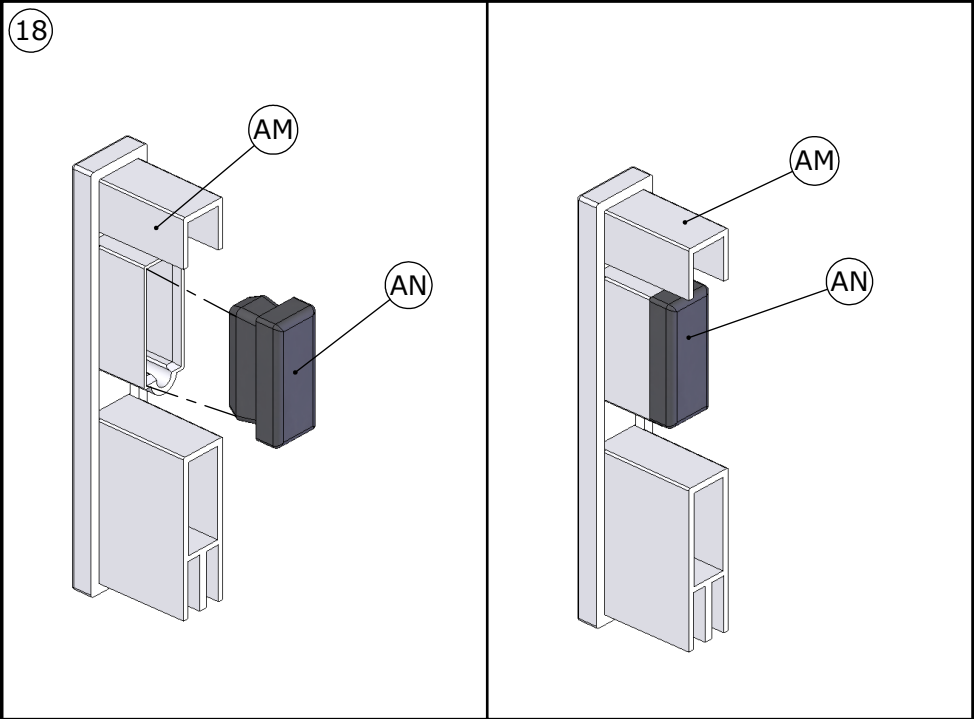
ENSURE GLASS PANELS ARE FULLY HOME BEFORE DRILLING

16

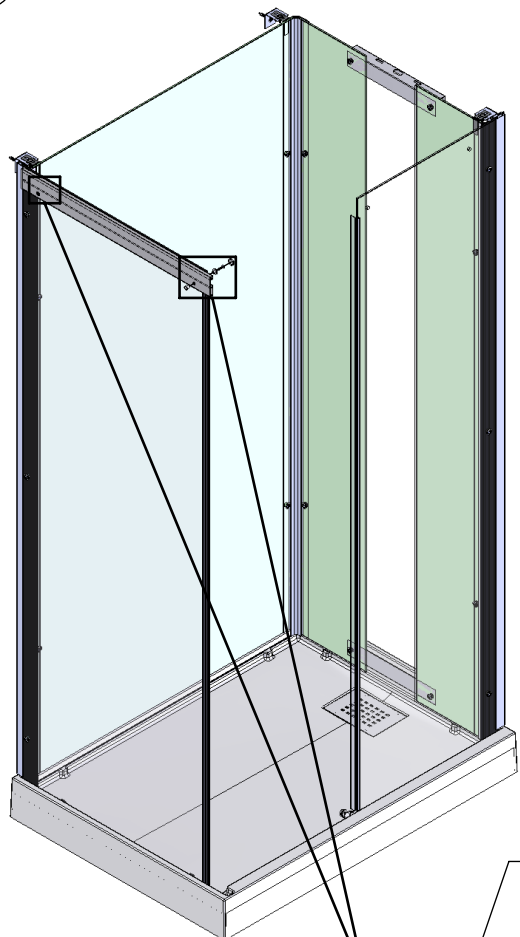


17

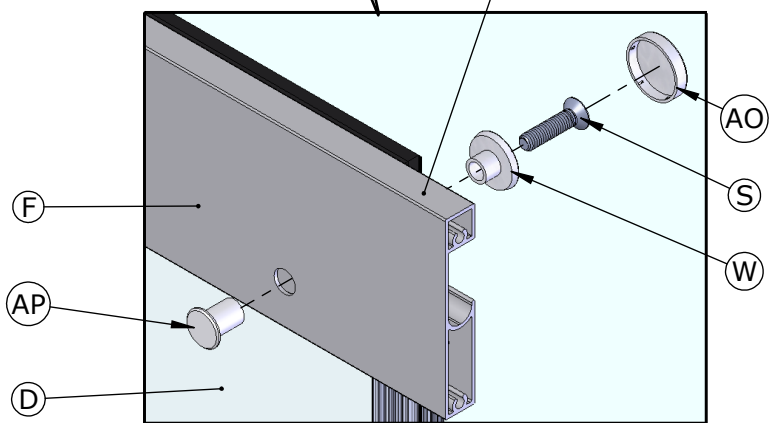


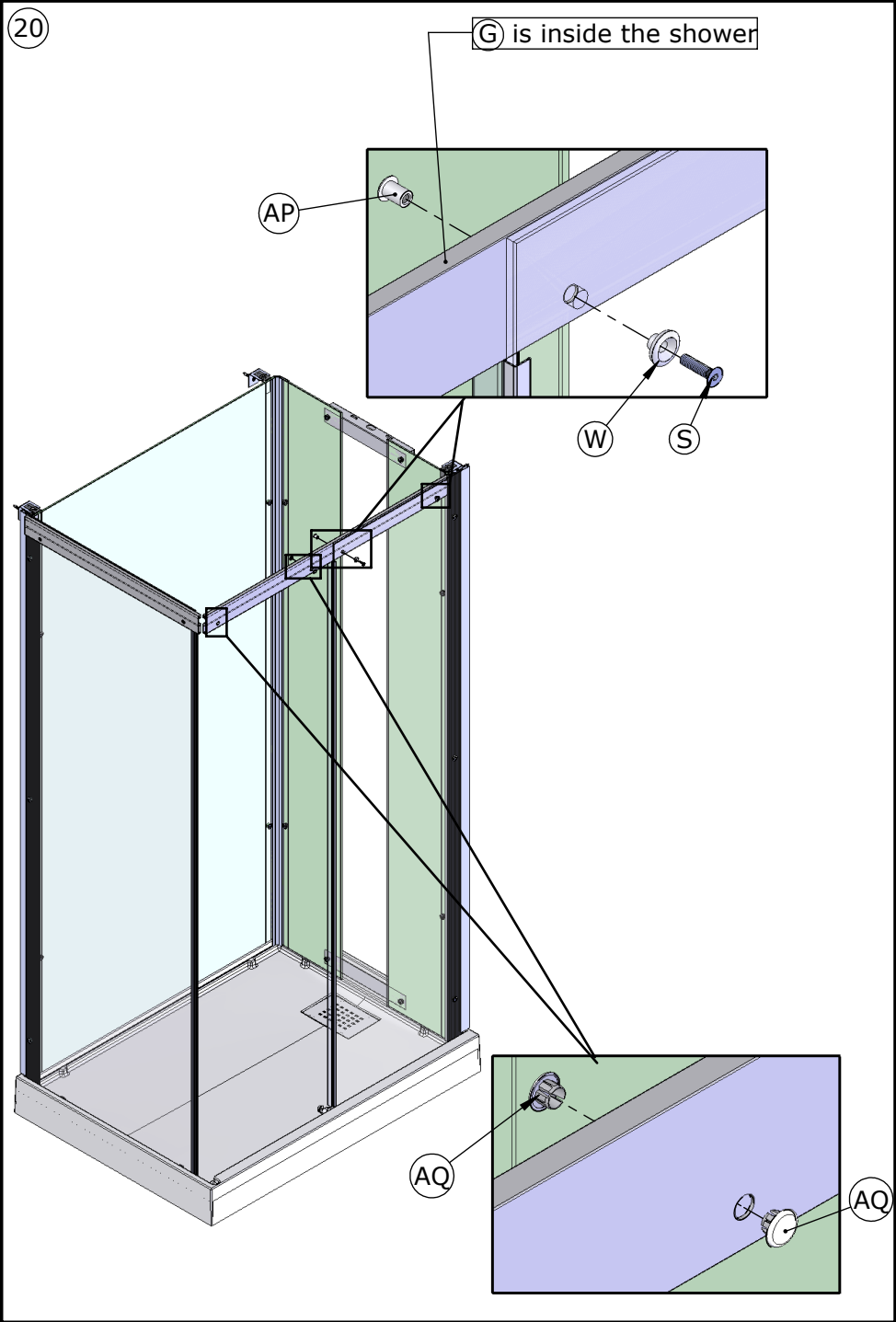


19

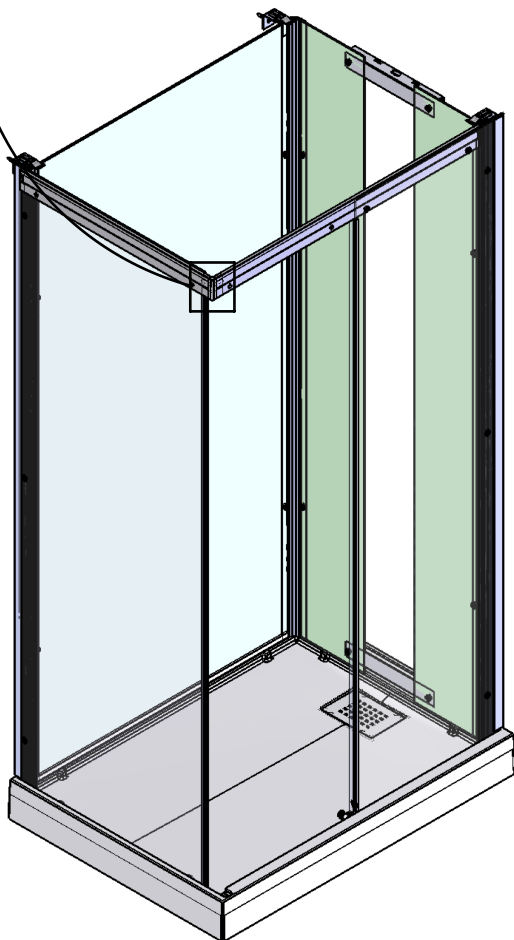
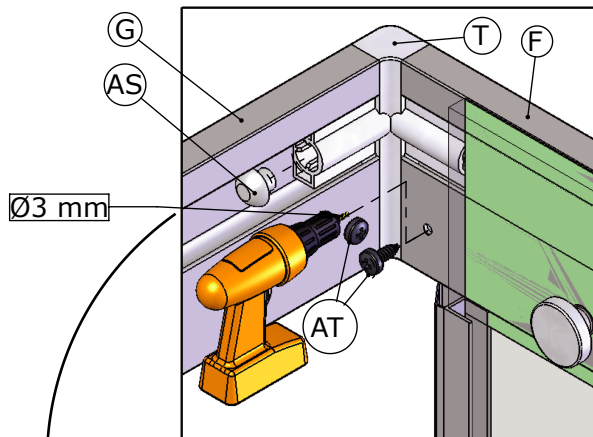


F is outside the shower

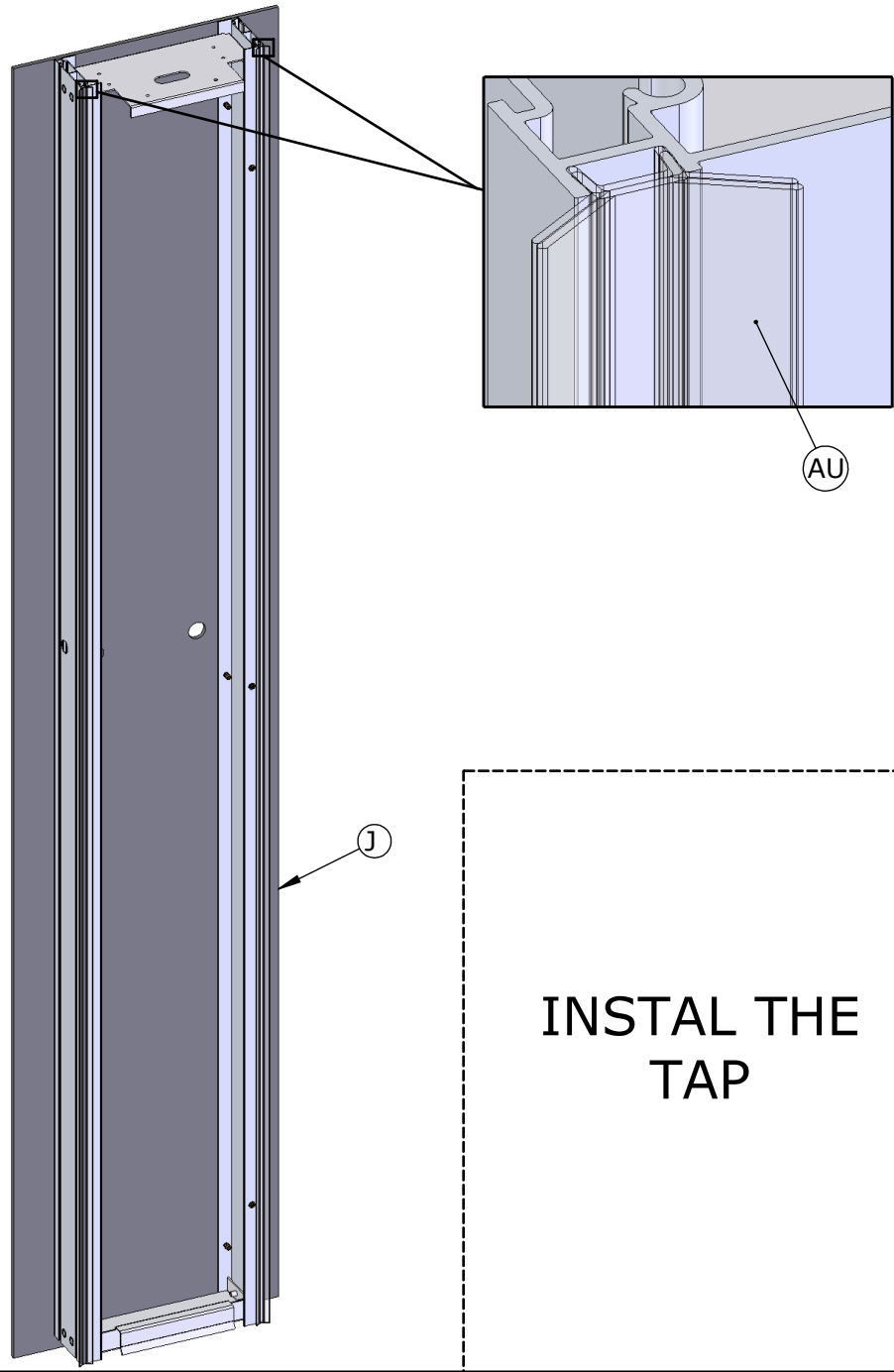




21

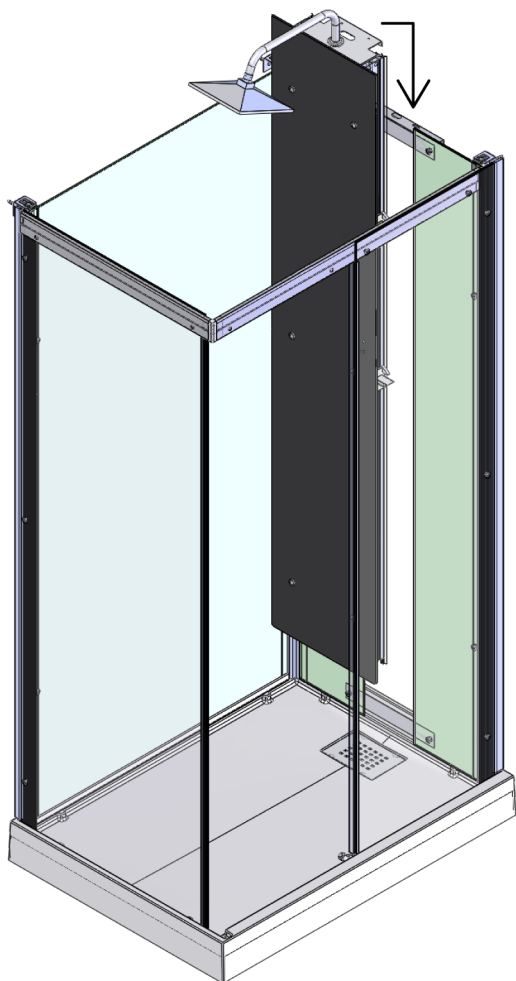
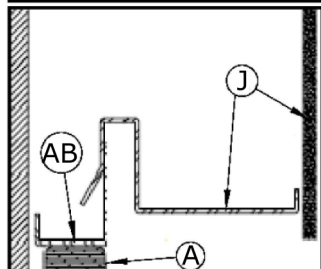
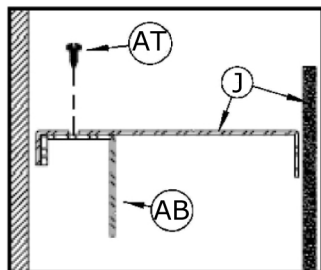
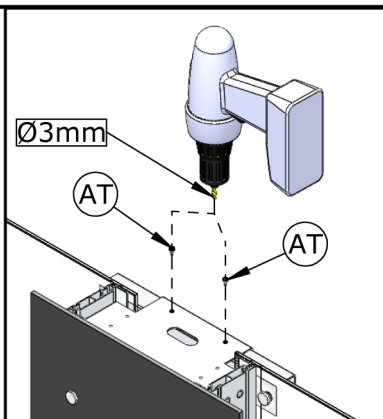


22



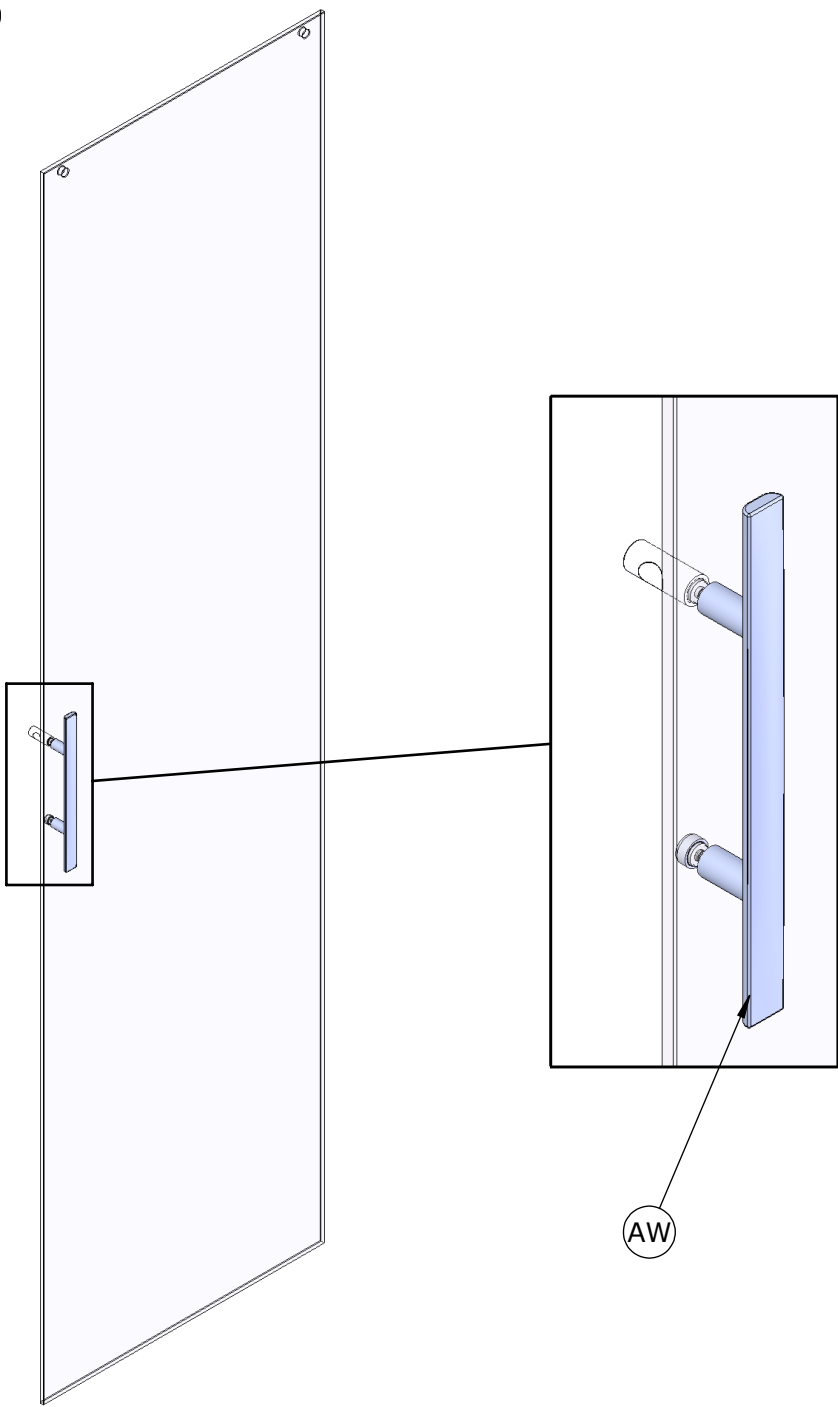
INSTALL THE  
TAP

23



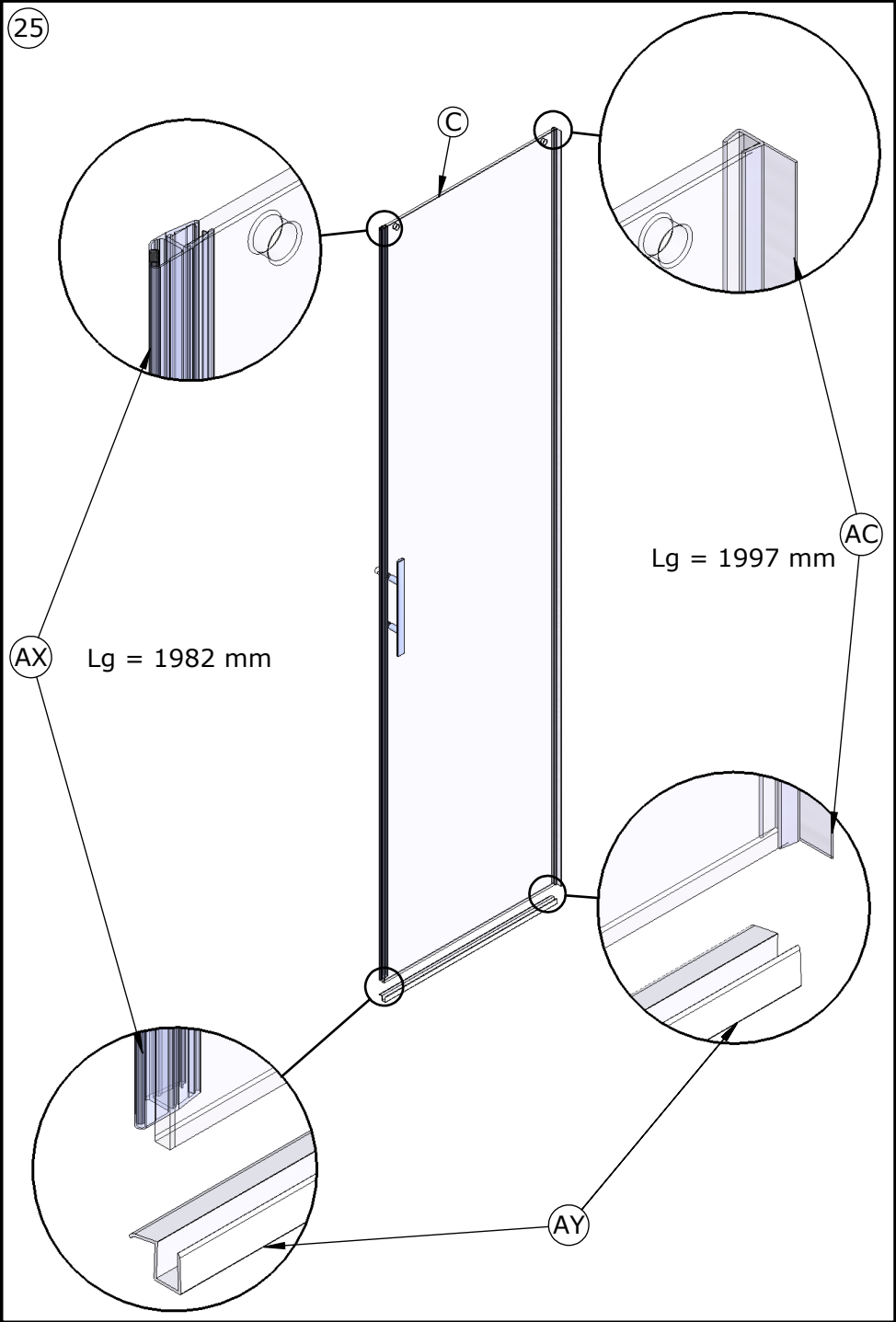
CONNECT THE  
WATER SUPPLY  
AND CHECK LEAKS  
AT THIS POINT  
AND CONNECT  
EARTH CONNECTOR

24



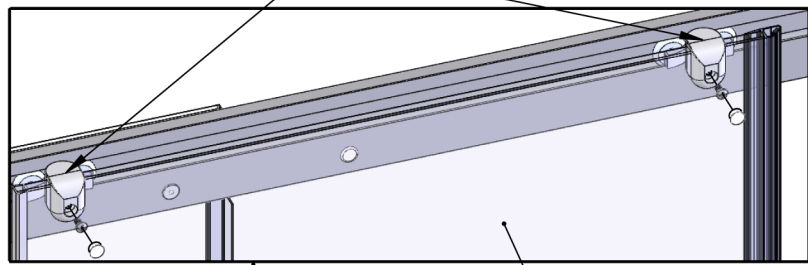
AW

25



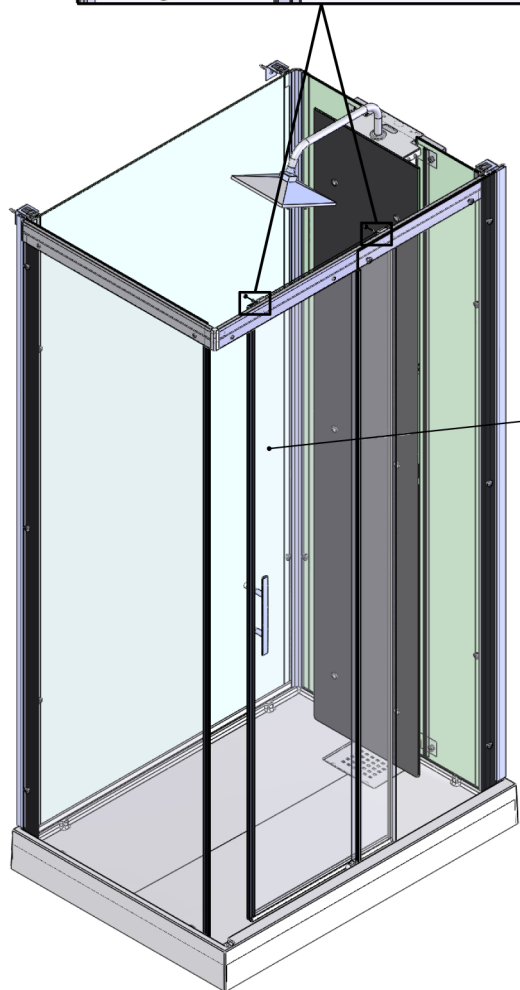
26

AZ



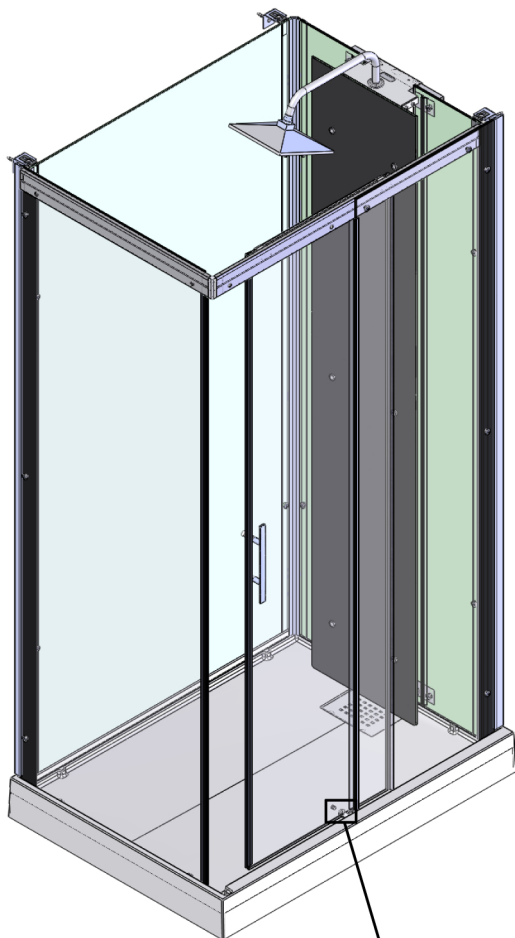
C

Place the rollers into the top rail then attach the doors to the rollers. Ensure rollers are at the highest adjustment.

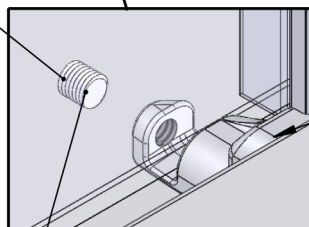


C

27



AR

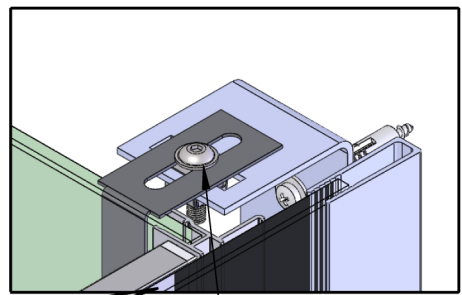
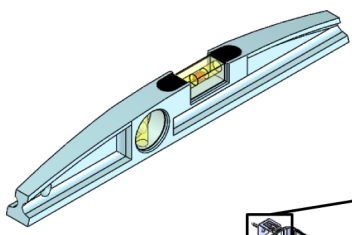


AI

Hand tighten then unscrew half a turn

28

Check that the cubicle is level



TIGHTEN

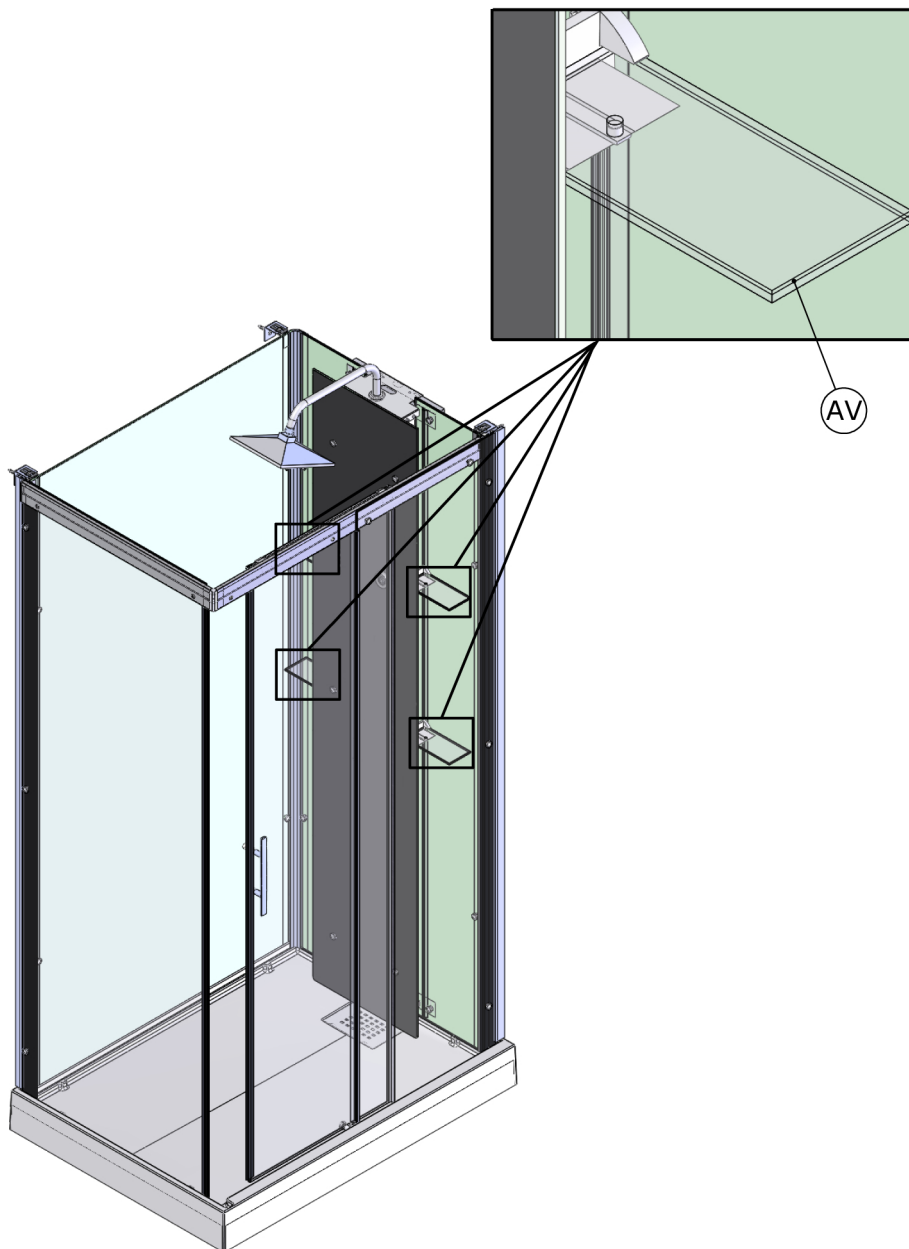


X18



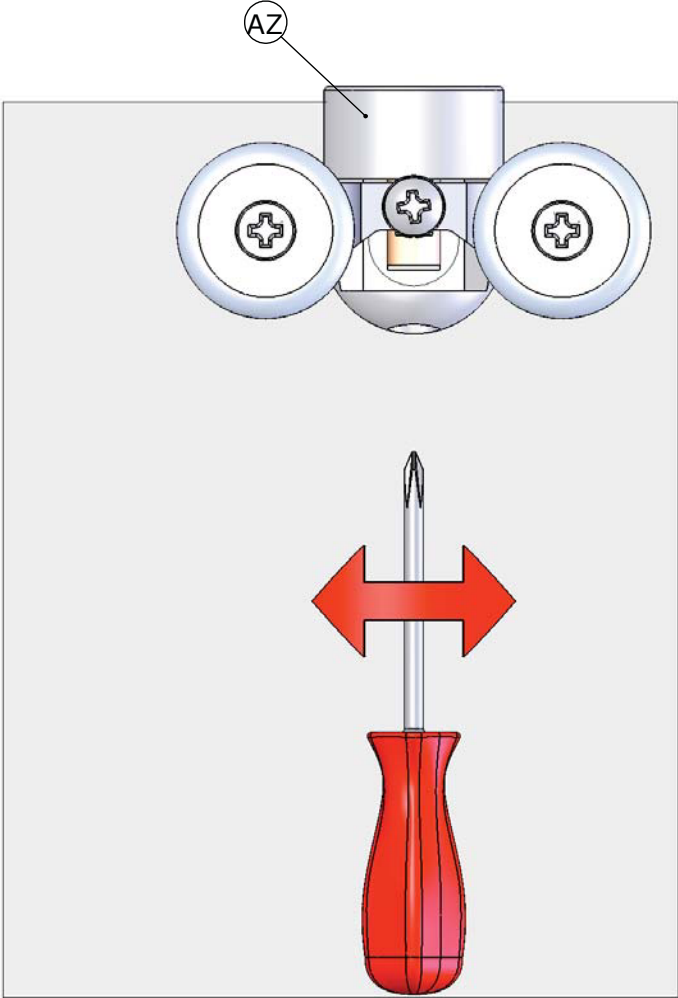
TIGHTEN

29

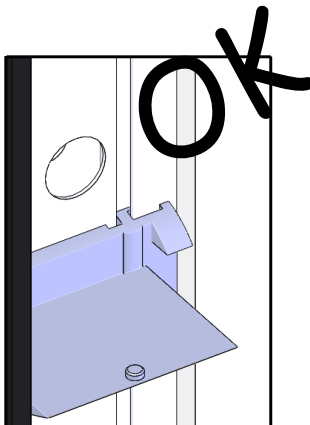
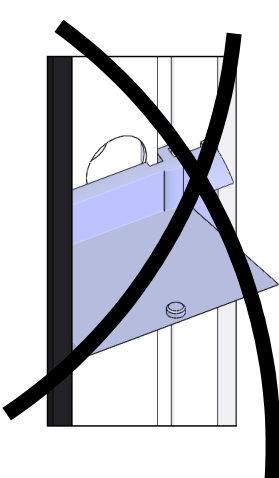
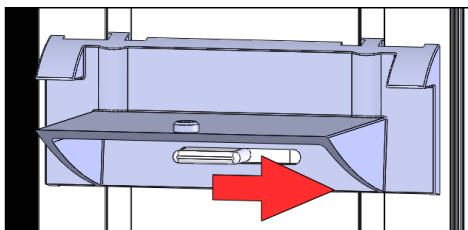
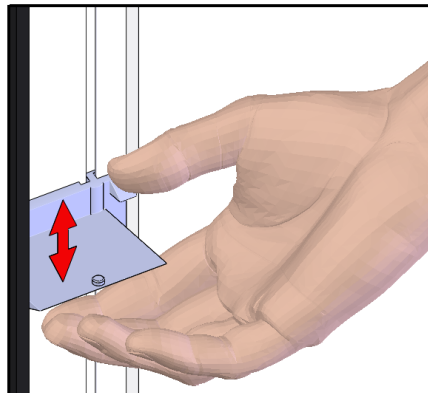
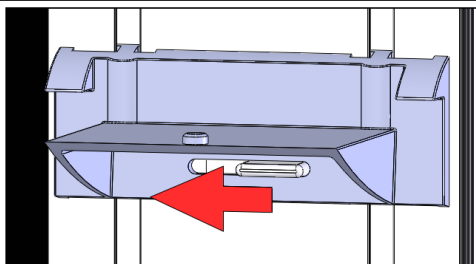


30

Adjust the doors



REGLAGE DES ETAGERES  
ADJUSTMENT OF SHELVES  
REGOLAZIONE MENSOLE  
AJUSTE DE LAS ESTANTERIAS  
VERSTELBARE REKKEN





**SAV**  
**SERVICE HELPLINES**  
**ASSISTENZA POST-VENDITA**  
**SERVICIO POSTVENTA**

**FRANCE**

02 40 21 29 45

**SCHWEIZ**

(01) 748 17 44

**UK**

020 8842 0033

**ESPAÑA**

93 544 60 76

**IRELAND**

04697 33102

**NEDERLAND**

0475 487 100

**DEUTSCHLAND**

0800 82 27 82 0

**BELGIE**

+31 475 487 100

**ITALIA**

(0382) 6181

**BELGIQUE**

+31 475 487 100

**ÖSTEREICH**

(0222) 21 402 16 0

**РОССИЯ**

963 19 40, 773 67 22