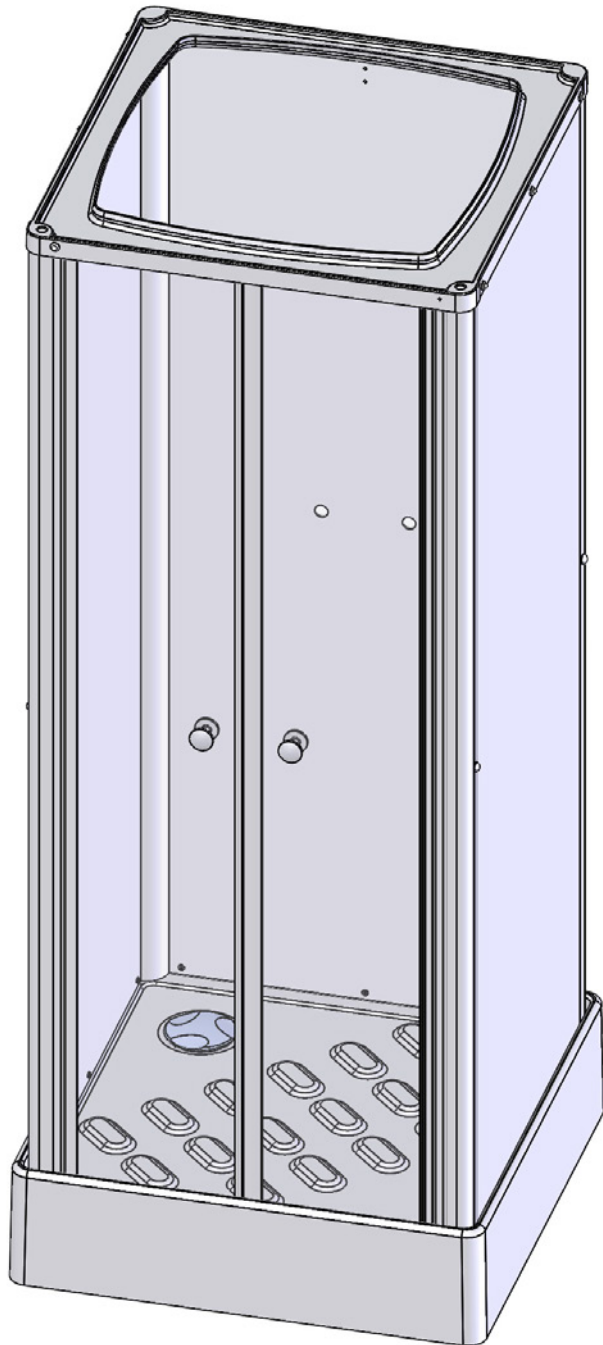
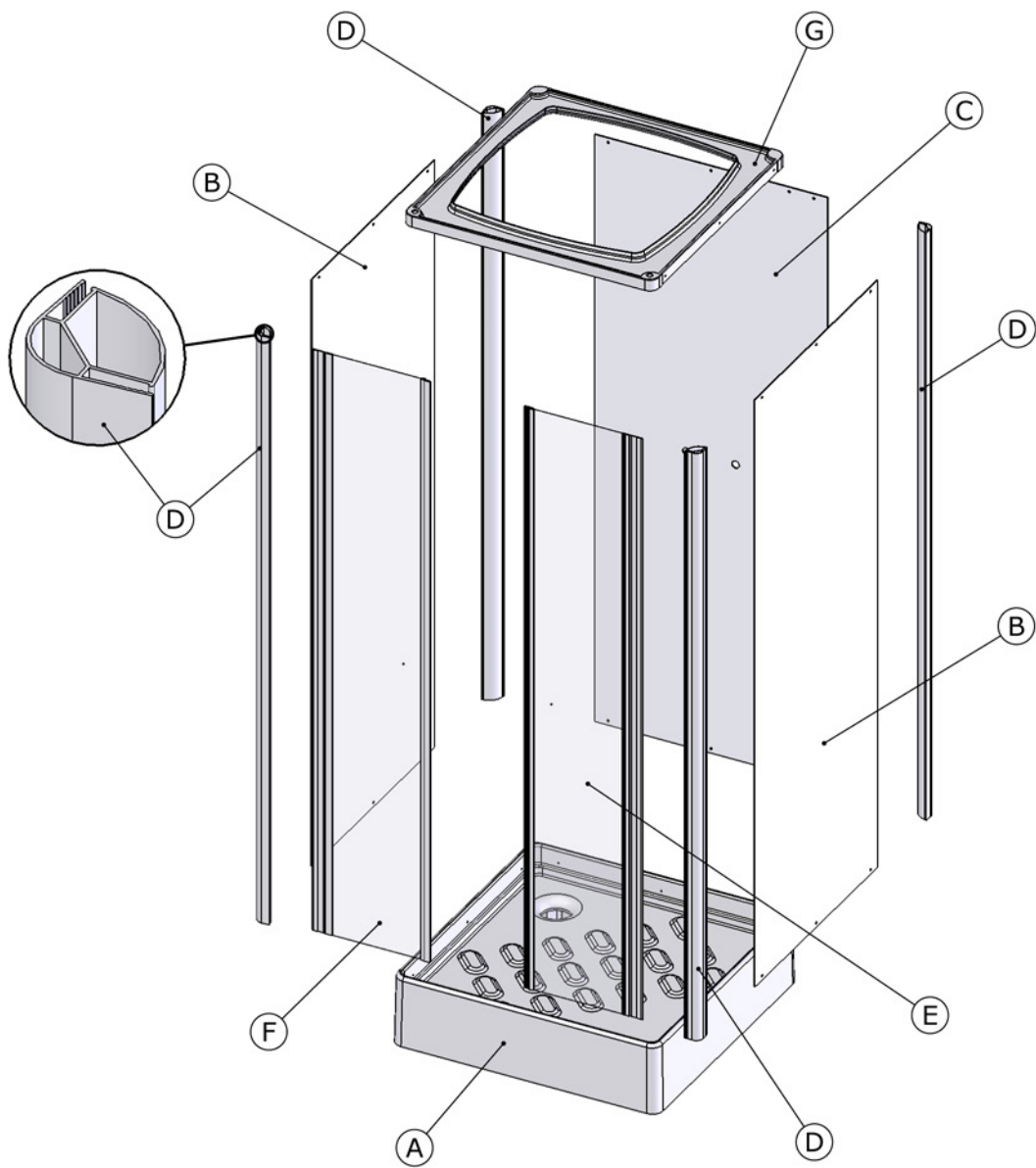


INSTALLATION INSTRUCTIONS

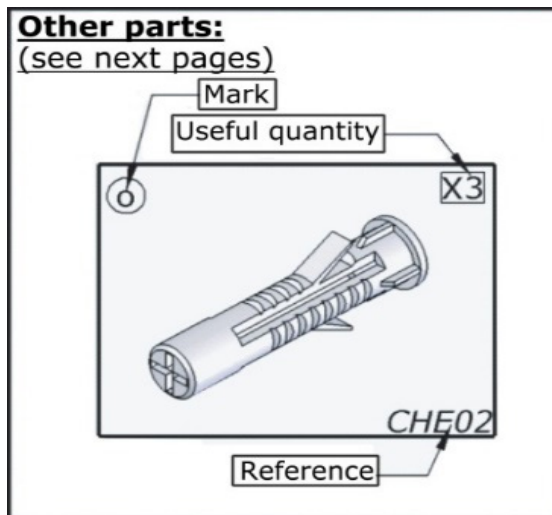


DES1383A


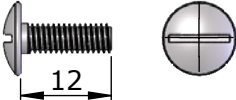
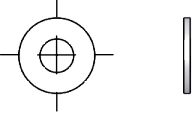

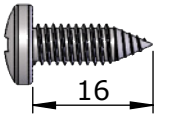

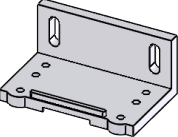
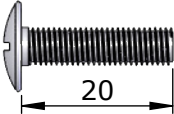

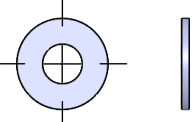


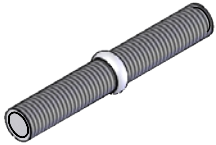

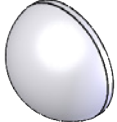


PACKAGE CODES (See marks on page 2)

A	RTH085
B	ENSW02
C	
D	EPW07
E	PORT09
F	
G	CTHW1333-E

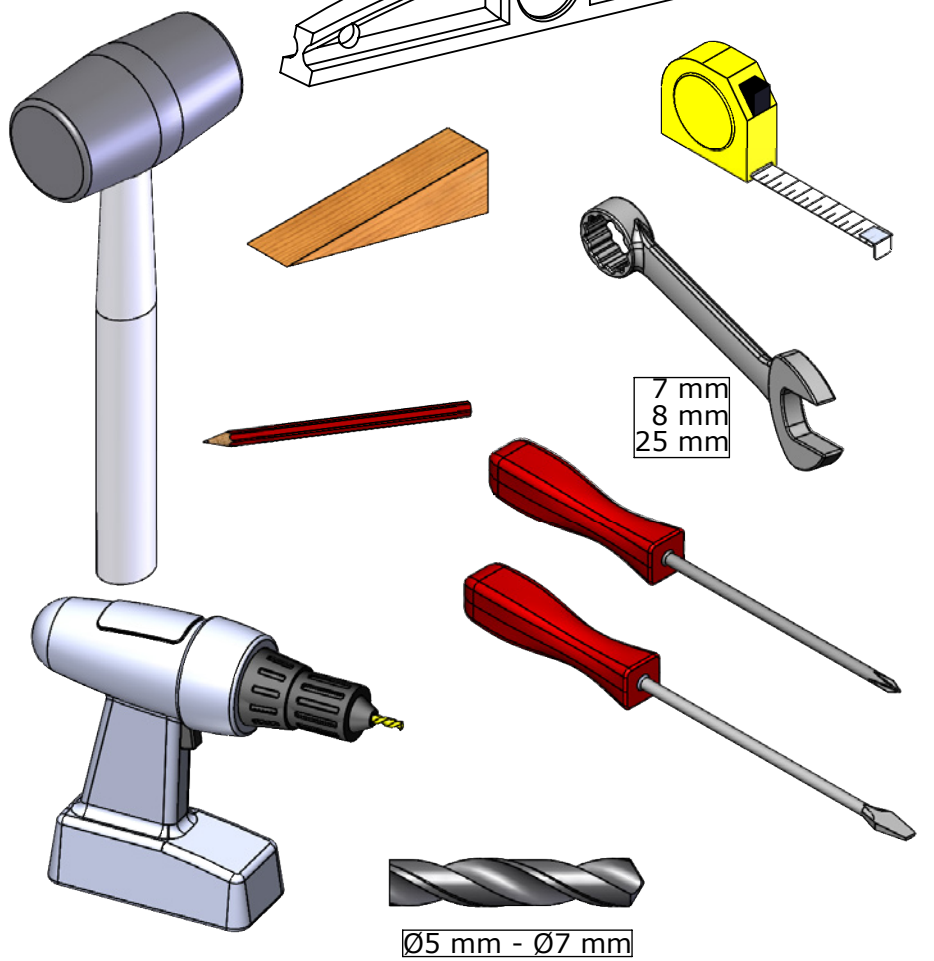


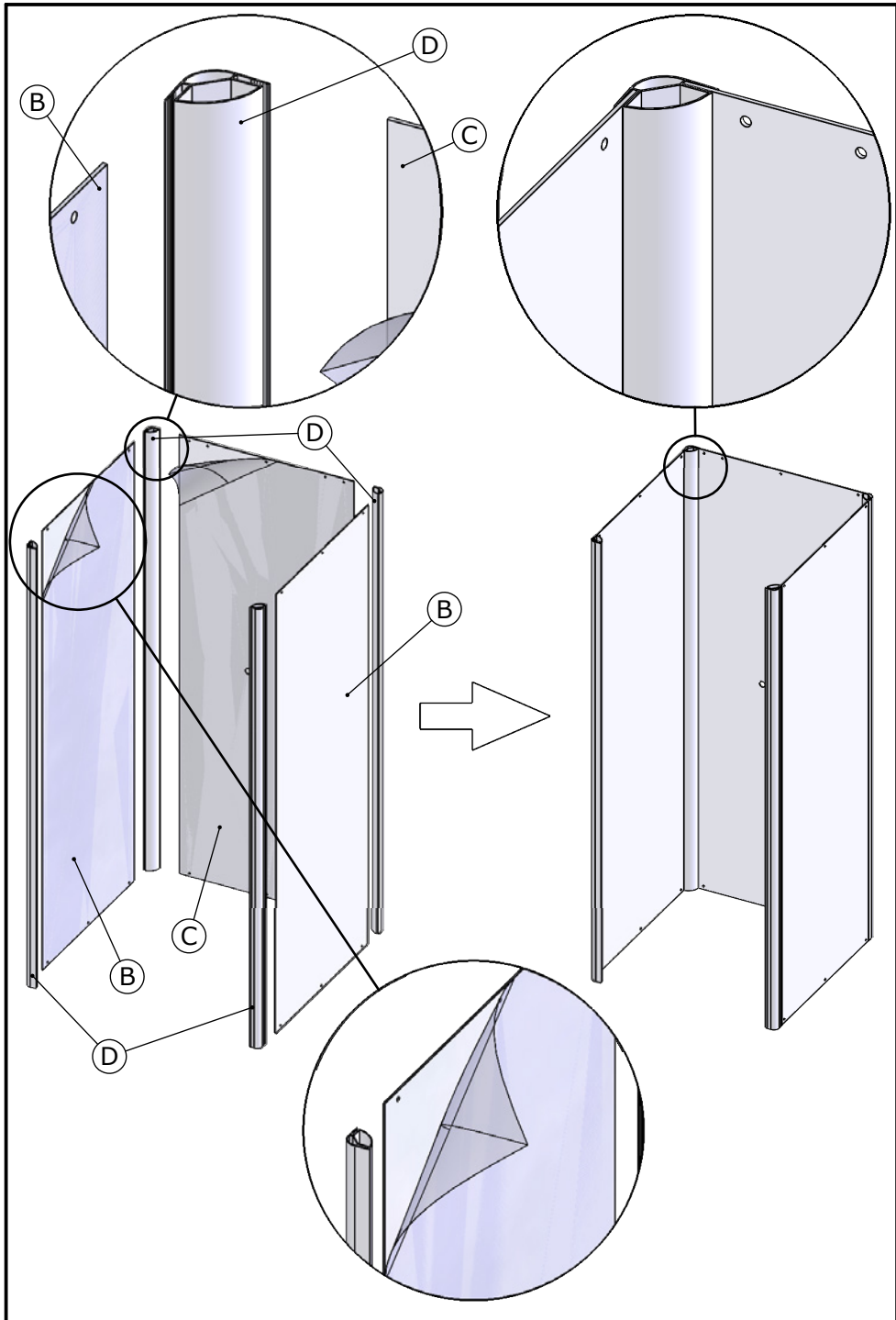
DES1383A

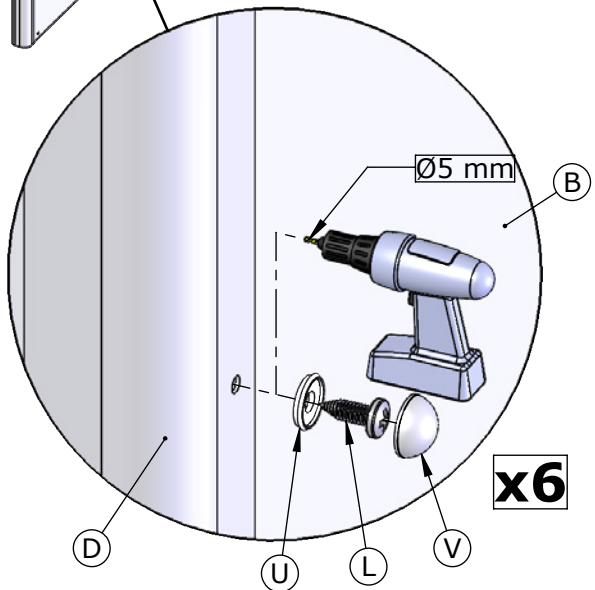
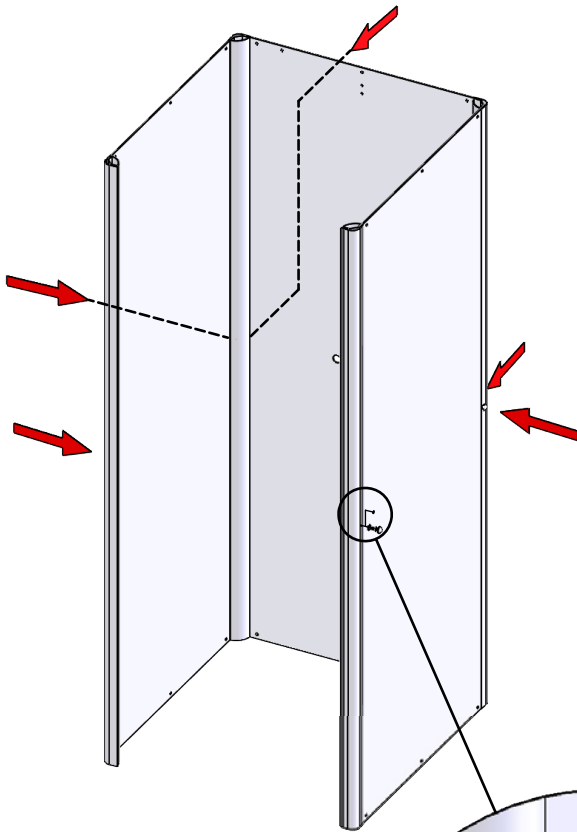
<p>(H)  X1</p> <p>BOND07</p>	<p>(I) M4 X10</p> <p></p> <p>12</p> <p>1=1 VIS87</p>	<p>(J) X10</p> <p></p> <p>1=1 RON05</p>
<p>(K) X10</p> <p></p> <p>1=1 ECR09</p>	<p>(L) Ø5,5 X17</p> <p></p> <p>16</p> <p>1=1 VIS05</p>	<p>(M) X10</p> <p></p> <p>PPL505</p>
<p>(N) X2</p> <p></p> <p>PPL503</p>	<p>(O) M5 X2</p> <p></p> <p>20</p> <p>1=1 VIS83</p>	<p>(P) M5 X2</p> <p></p> <p>25</p> <p>1=1 VIS86</p>
<p>(Q) X4</p> <p></p> <p>1=1 RON34</p>	<p>(R) X4</p> <p></p> <p>1=1 ERCORD</p>	<p>(S) X4</p> <p></p> <p>PPL502</p>
<p>(T) X2</p> <p></p> <p>DP100310</p>	<p>(U) X6</p> <p></p> <p>RON58</p>	<p>(V) X6</p> <p></p> <p>CAC10</p>

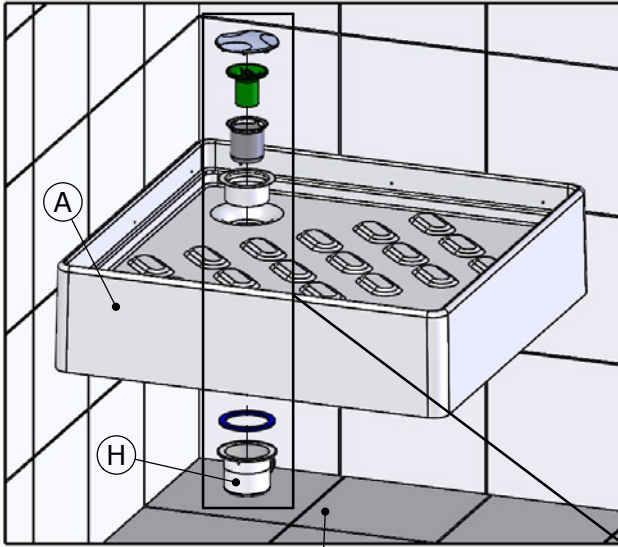
The quantities given are what are required for the installation. There may be some surplus parts in the package provided.

Tools required

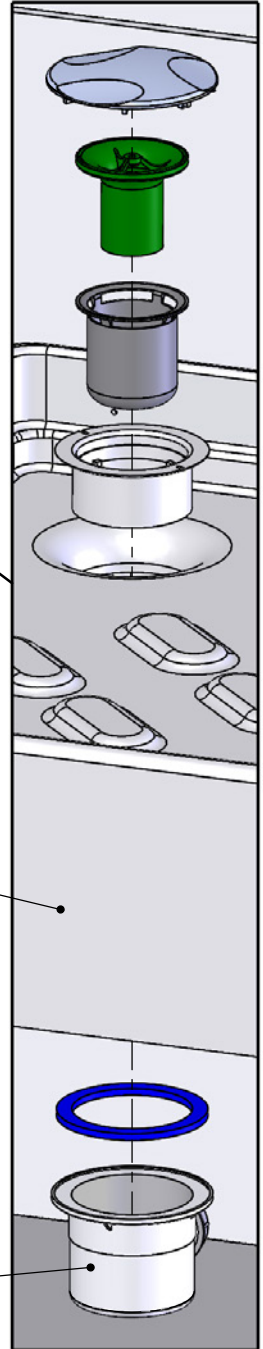




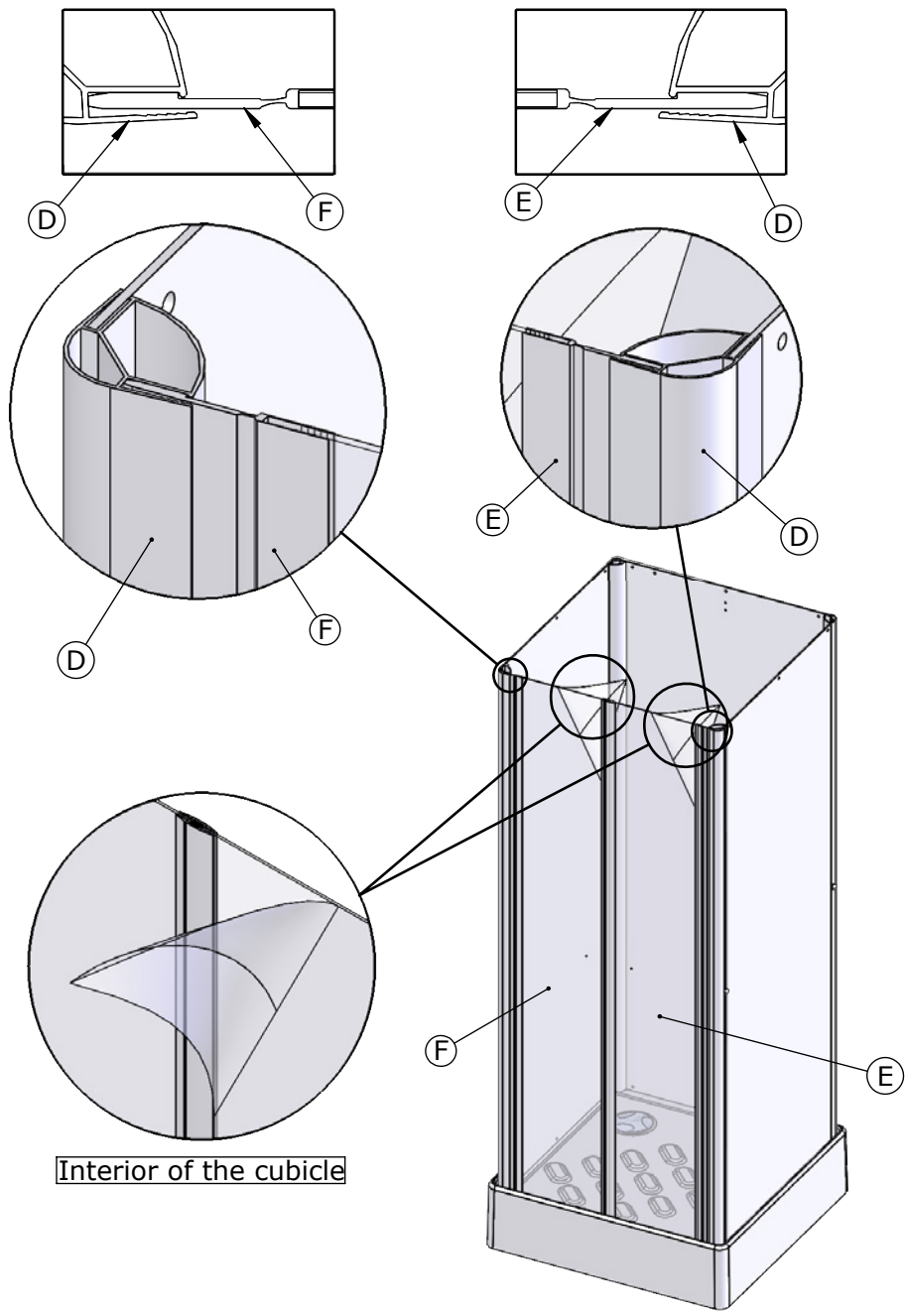




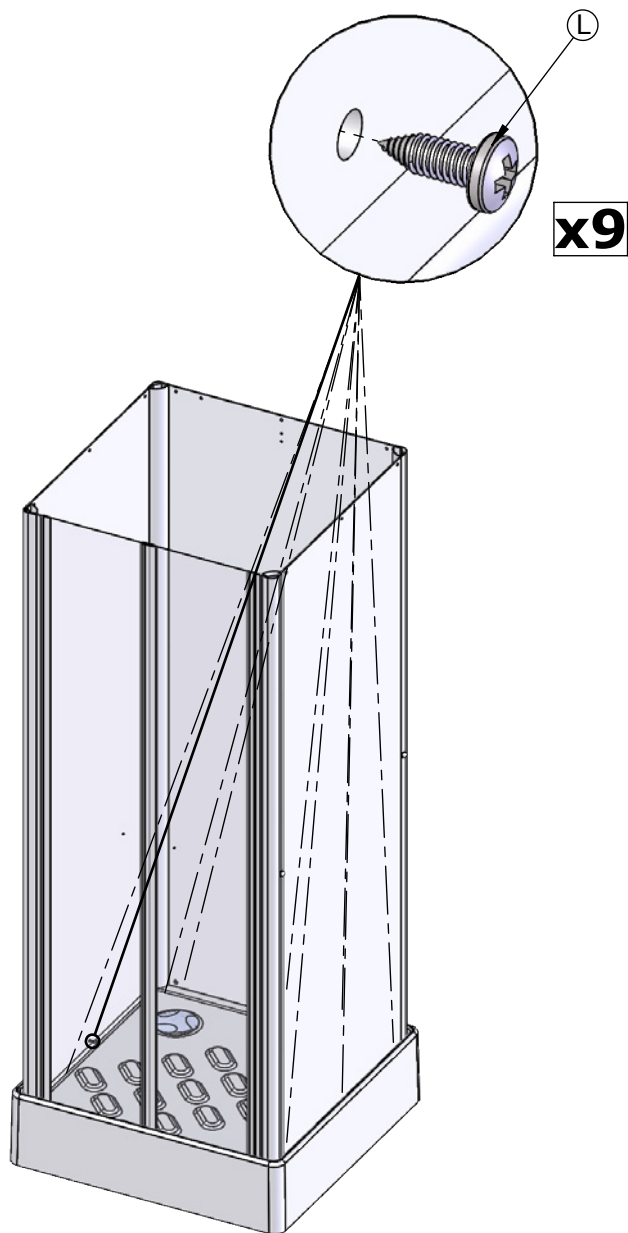
The underlying floor must absolutely be rigid and dry

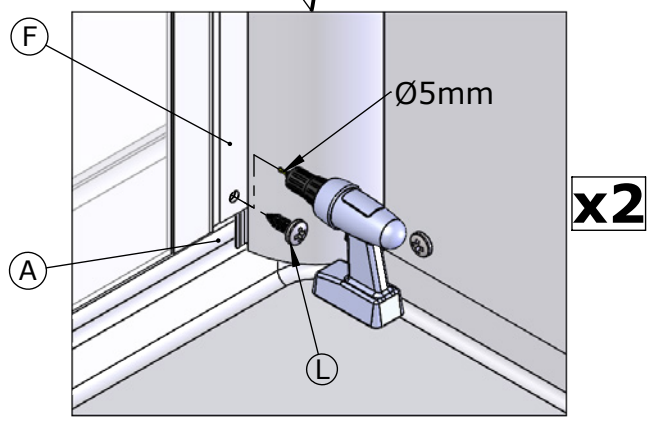
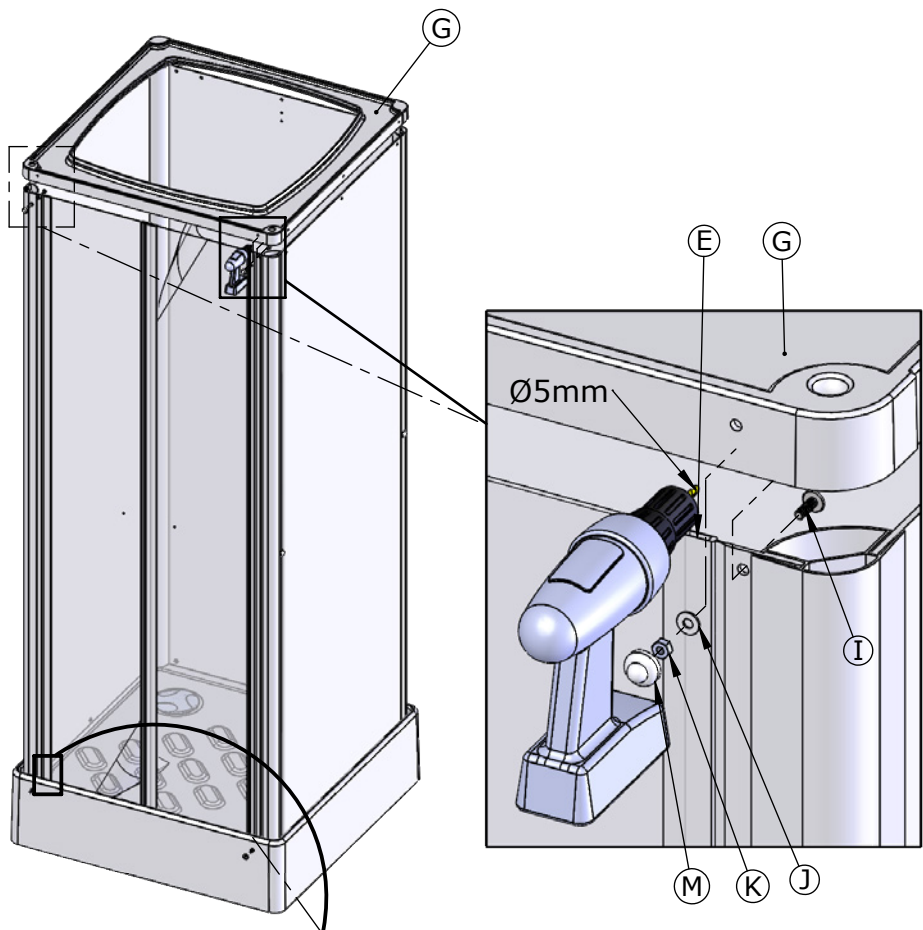


Do not put glue or silicone between the waste trap seal and the tray

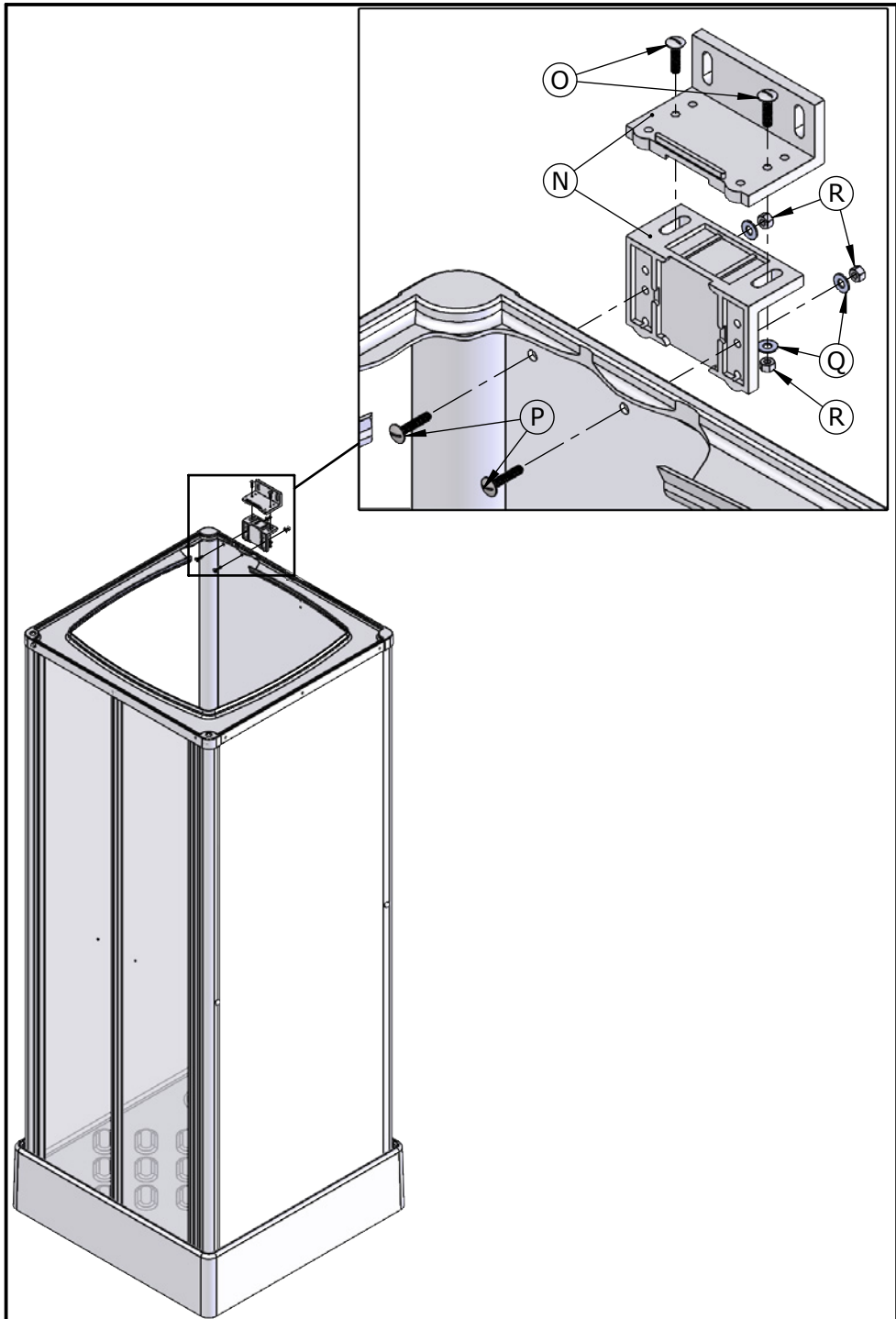


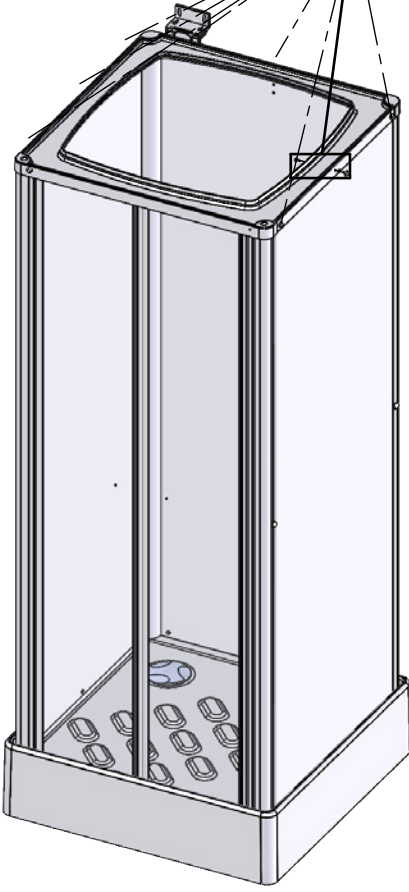
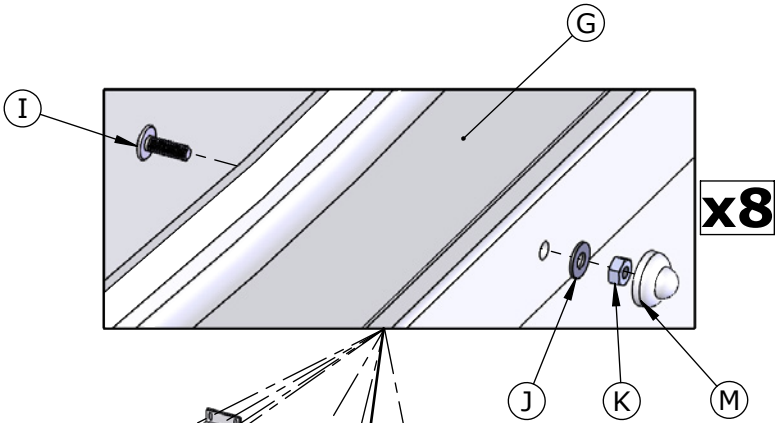
Interior of the cubicle

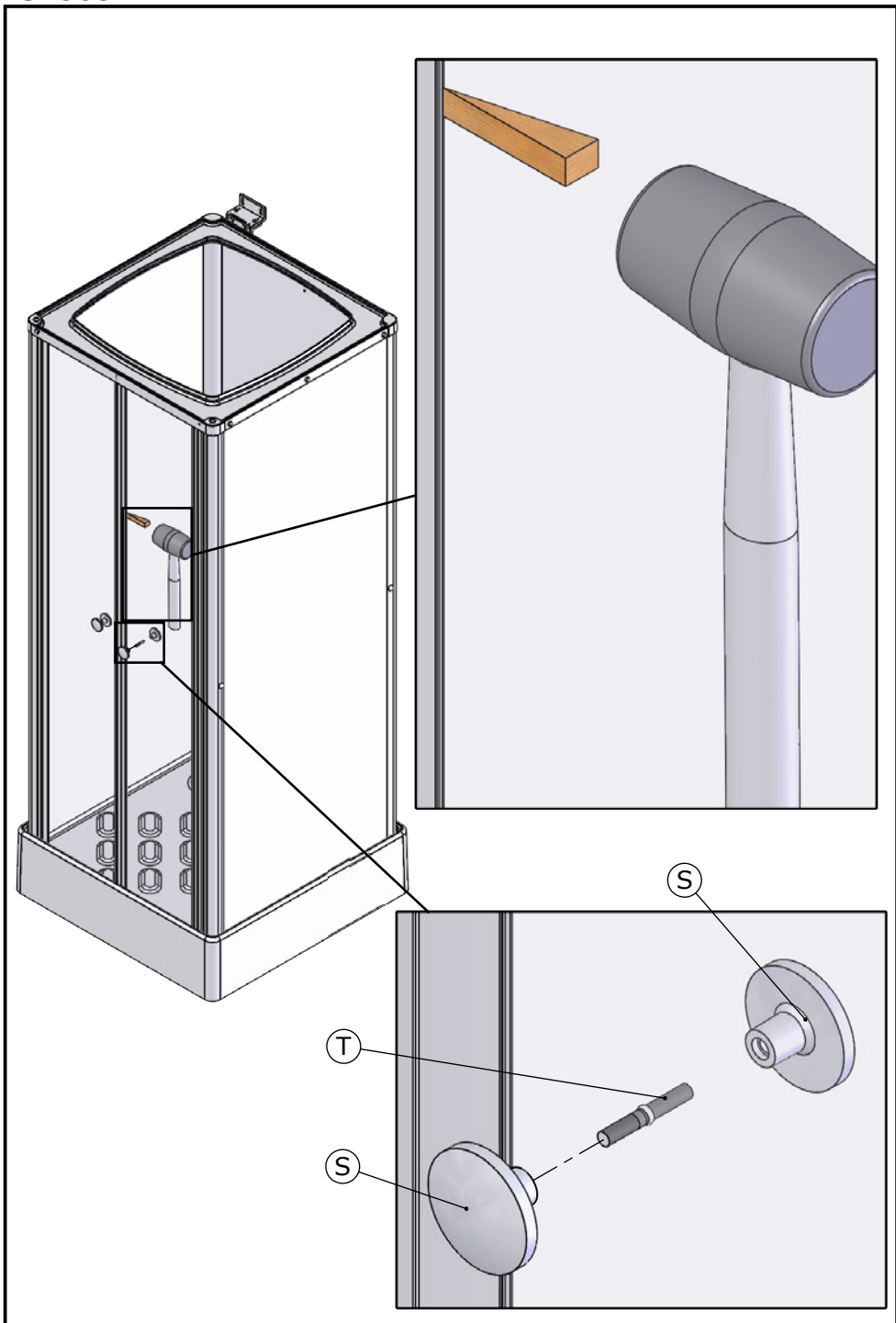




Interior of the cubicle









SERVICE APRÈS-VENTE AFTER-SALES SERVICE

FRANCE

+33 (0)2 40 21 29 45

UK

+44 (0)20 8842 0033

IRELAND

+353 04697 33102

DEUTSCHLAND

+49 (0) 6074 / 30928 0

ITALIA

+39 02 30559420

ÖSTEREICH

+43 1 710 60 70

SUISSE/SCHWEIZ

+41 (0)32 631 04 74

ESPAÑA

+34 93 544 60 76

NEDERLAND

+31 475 487 100

BELGIQUE/BELGIË

+31 475 487 100

РОССИЯ

+7 495 258-29-51

PORTUGAL

+351 219 112 785